



Step **WITH FLUID**[®] TECHNOLOGY

Automatic frontal bracket system
Scorrevoli con staffa automatica frontale



Step

PATENTED

Step, developed as an improvement of the Classic bracket, is an **easy-to-assemble** sliding system with bracket characterized by an **automatic frontal coupling**.

Dedicated for wooden doors, it's also **suitable to frameless glass door systems**.

Step bracket can be **partially recessed into the door**, in order to reduce the gap between door and track.

Step is available with the **new Fluid soft closing dampers**, in order to achieve an optimal braking motion and a noiseless sliding quality for doors of all sizes.

Maximum load capacity up to **250 kg**.

Step, nata come evoluzione della staffa Classic, è il sistema di scorrimento **facile da montare con staffa ad innesto rapido frontale**, per porte in legno, **compatibile** anche **con sistemi per porte in vetro senza telaio**.

La staffa di attacco può essere **parzialmente incassata nella porta**, per ridurre lo spazio tra porta e binario.

Step è disponibile con i **nuovi ammortizzatori Fluid**, per una ottimale frenatura e silenziosità di scorrimento per porte di tutte le larghezze.

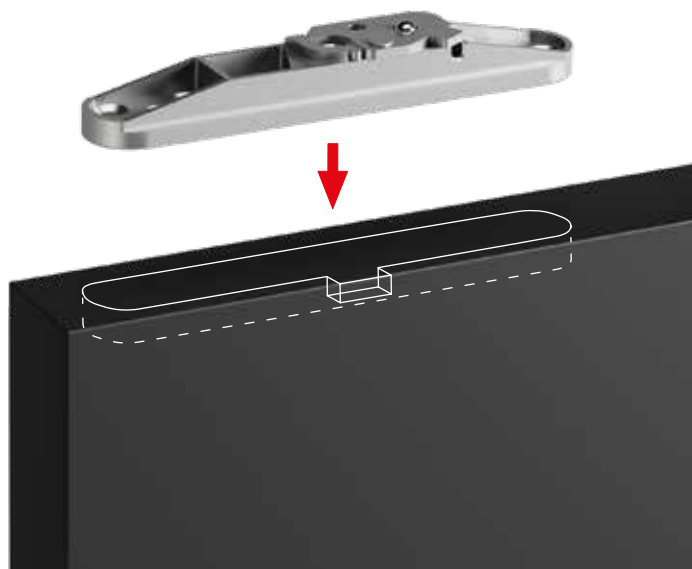
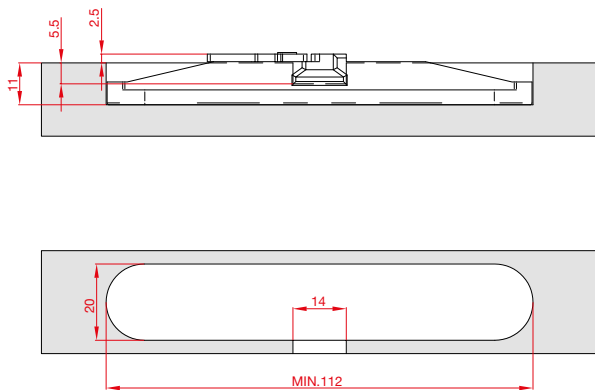
Kit con portata fino a **250 kg**.



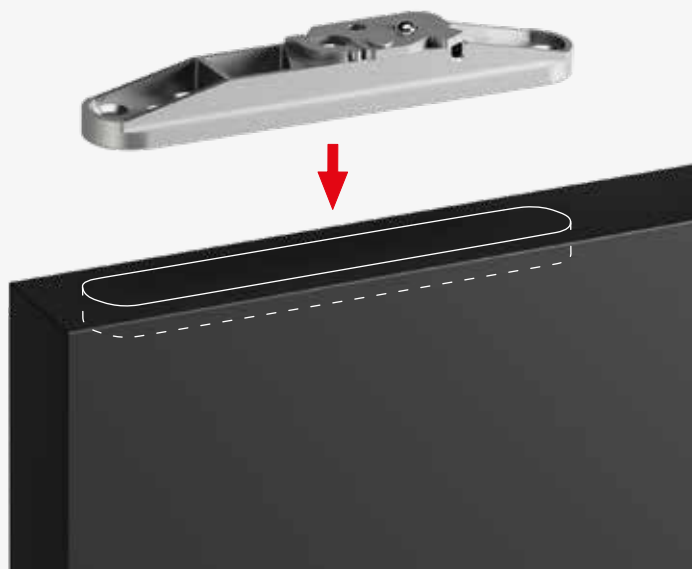
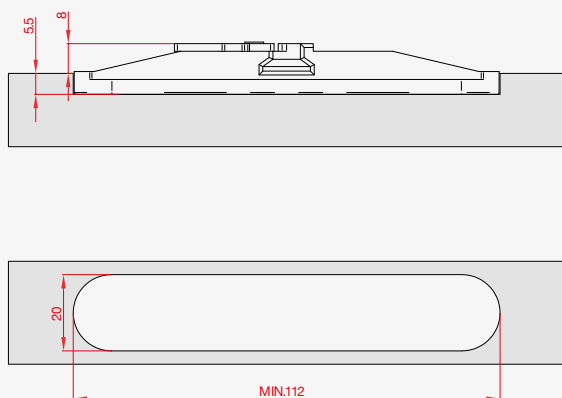


Slides with frontal automatic clamp
Scorrevoli con staffa automatica frontale

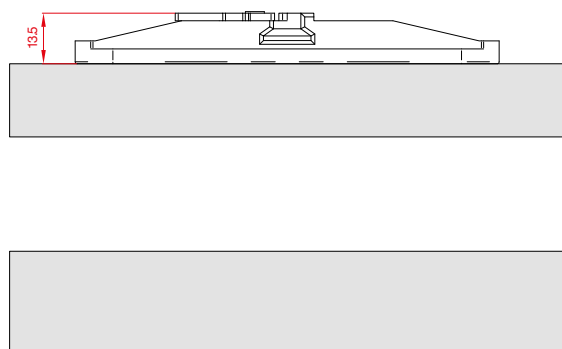
A



B

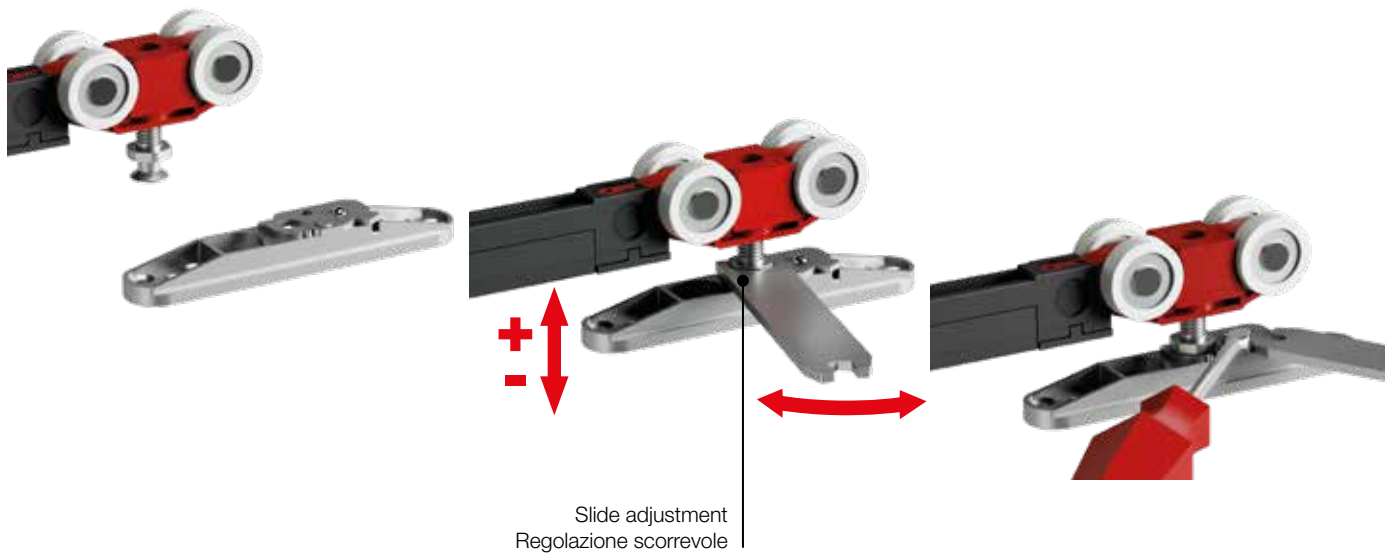


C

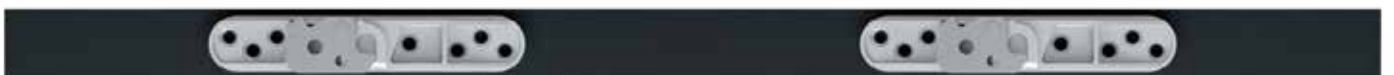


Easy mounting Facile da montare

1



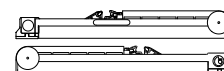
2



WITH
FLUID[®]
TECHNOLOGY



BALL BEARINGS / CUSCINETTI A SFERA



N.2 FLUID DAMPERS
N.2 FERMI AMMORTIZZATI FLUID



MIN. 650 mm

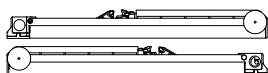


50 mm

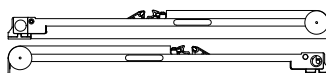
	50 kg		ART. 1280 8 00 0.01280 8 01 0.01280
	80 kg		ART. 1280 8 00 0.01280 8 01 0.01280
	120 kg		ART. 1280 8 00 0.01280 8 01 0.01280
	160 kg		ART. 1280 8 00 0.01280 8 01 0.01280
	180 kg		ART. 3480 8 00 0.03480 8 01 0.03480
	250 kg		ART. 3480 8 00 0.03480 8 01 0.03480

PAG. 11

Tracks / Binari		ALUMINUM FINISHES CODES / CODICI FINITURE ALLUMINIO		
CODE / CODICE		FINISH COLOR / COLORE FINITURA		
8 00 0.0	 00	G Raw / Mill Finish / Neutro / Grezzo	STANDARD	
8 01 0.0	 01	A Anodized Silver / Argento		
8 02 0.0	 02	AS Brushed Anodized Silver / Argento Spazzolato		
8 13 0.0	 13	E3S Brushed Anodized Dark Brown / E3 Spazzolato	SPECIAL	
8 15 0.0	 15	NS Brushed Anodized Black / Nero Spazzolato		
8 17 0.0	 17	NKS Brushed Anodized Nickel / Nichel Spazzolato		



N.2 FLUID DAMPERS
N.2 FERMI AMMORTIZZATI FLUID



N.2 FLUID DAMPERS
N.2 FERMI AMMORTIZZATI FLUID



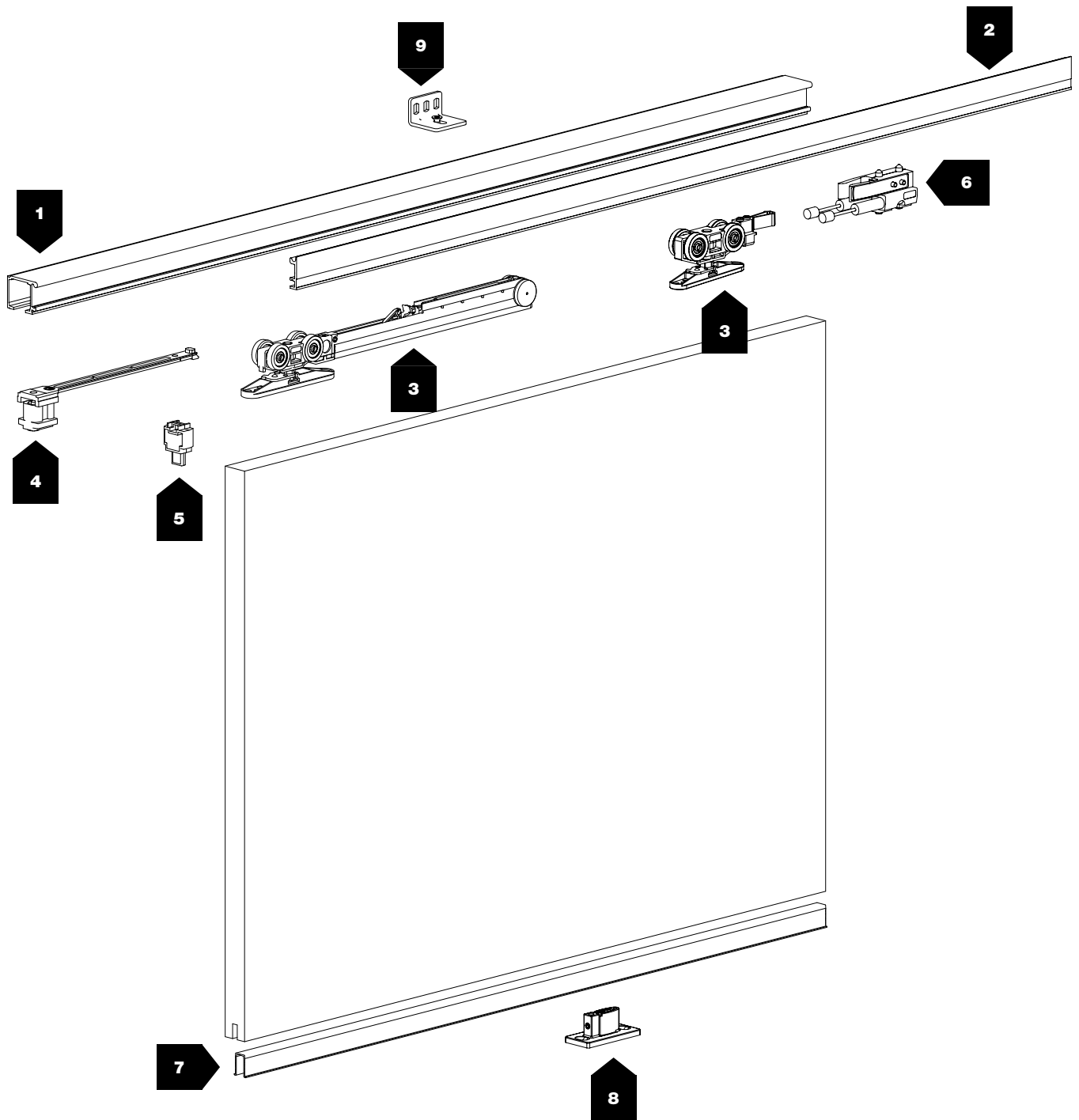
N.2 SHOCK ABSORBERS
N.2 FERMI A PINZA AMMORTIZZATI



●		
PAG. 12		
●		
PAG. 12		
●		
PAG. 12		
	●	
	PAG. 13	
		●
		PAG. 13
		●
		PAG. 13

Tracks / Binari		PLASTIC FINISHES CODES / CODICI FINITURE PLASTICA			
CODE / CODICE		FINISH COLOR / COLORE FINITURA		STANDARD	
8 14	0.0	14	N		Anodized Black / Nero
8 23	0.0	23	GR		Gray / Grigio

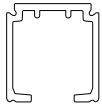

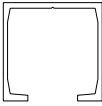

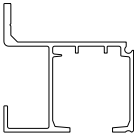
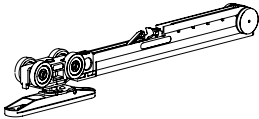
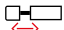
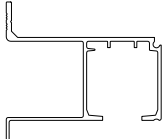
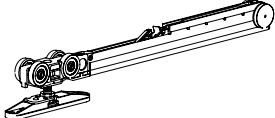
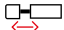

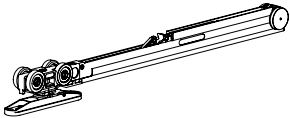
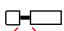
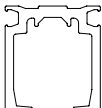
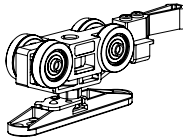
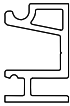
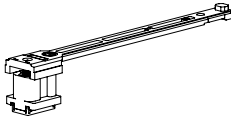

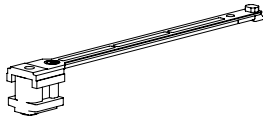
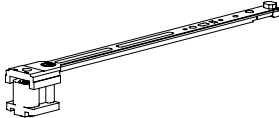
Step Automatic frontal bracket system
Scorrevoli con staffa automatica frontale



650 ÷ 1600 mm

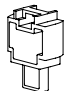
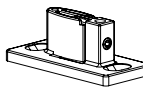
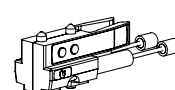
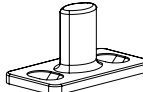

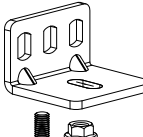
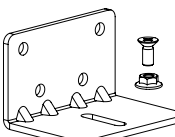


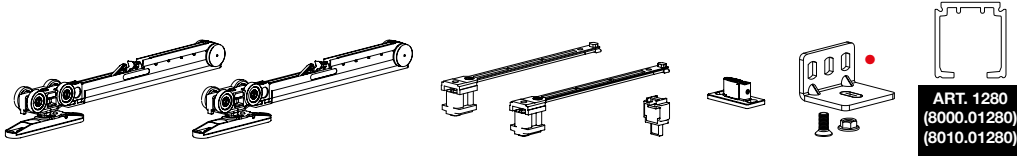
Min. 30 - Max 250 kg

N°	Barcode		kg		N°	Barcode		kg	
1	1280 8 00 0.01280 8 01 0.01280		30÷160	STANDARD	2	3490 8 02 0.03490		-	OPTIONAL +
	1080 8 00 0.01080 8 01 0.01080		30÷120	OPTIONAL +		3491		-	OPTIONAL +
	1359 8 00 0.01359 8 01 0.01359		30÷120	OPTIONAL +	3	3392		30÷80	NEW  50 mm
	1559 8 00 0.01559 8 01 0.01559		30÷120	OPTIONAL +		3372/080		50÷120	 70 mm
	1700 8 00 0.01700 8 01 0.01700		30÷120	OPTIONAL +		3372-160		160	NEW  100 mm
	3480 8 00 0.03480 8 01 0.03480		180÷250	STANDARD		3508		180÷250	
	1710 8 00 0.01710 8 01 0.01710		30÷120	OPTIONAL +		3387		30÷80	NEW
1720 8 00 0.01720 8 01 0.01720		30÷120	OPTIONAL +	4	3354		50÷120		
					3367		160	NEW	

Step

Automatic frontal bracket system
Scorrevoli con staffa automatica frontale

N°			kg		N°			kg											
5	3347		-		8	333		30÷160											
										6	3485/180		180		8	2855		180÷250	
7	121 8 14 0.00121 8 23 0.00121		-	OPTIONAL +	9	127/D/V		30÷120											
										163/DV		160÷250							

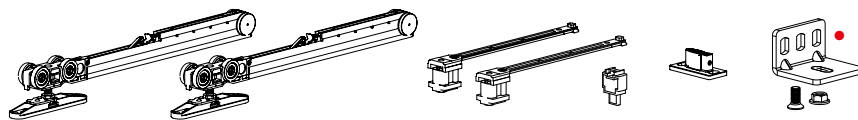




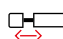



		OLD CODE	NEW CODE		TRACK-BINARIO 	
KIT	● N° 5	—	K.080.7.2.C	Min. 650 mm	—	4x
	—	—	K.080.7.2.S	Min. 650 mm	—	4x
BLISTER	● N° 4	—	B.080.7.2.C150	650 ÷ 850 mm	1500 mm	4x
	N° 5	—	B.080.7.2.C165	850 ÷ 950 mm	1650 mm	4x
	N° 5	—	B.080.7.2.C200	950 ÷ 1100 mm	2000 mm	4x
	N° 6	—	B.080.7.2.C250	1100 ÷ 1350 mm	2500 mm	4x
	N° 7	—	B.080.7.2.C300	1350 ÷ 1600 mm	3000 mm	4x
	—	—	B.080.7.2.S150	650 ÷ 850 mm	1500 mm	4x
	—	—	B.080.7.2.S165	850 ÷ 950 mm	1650 mm	4x
	—	—	B.080.7.2.S200	950 ÷ 1100 mm	2000 mm	4x
	—	—	B.080.7.2.S250	1100 ÷ 1350 mm	2500 mm	4x
	—	—	B.080.7.2.S300	1350 ÷ 1600 mm	3000 mm	4x






- 30 ÷ 80 kg**
- Min. 650 mm**
- 50 mm**
- N.2 Fluid dampers
N.2 Fermi ammortizzati
FLUID
- Ball bearings
Cuscinetti a sfera

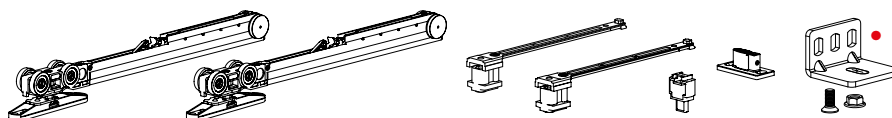
Step



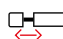



Automatic frontal bracket system
Scorrevoli con staffa automatica frontale








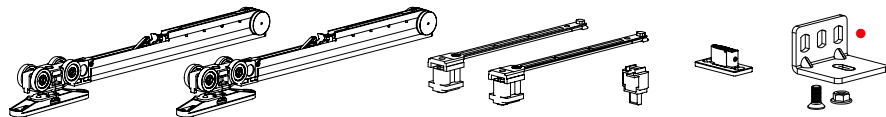
-  **50 kg**
-  **Min. 740 mm**
-  **70 mm**
-  N.2 Fluid dampers
N.2 Fermi ammortizzati
Fluid
-  **FLUID**
-  Ball bearings
Cuscinetti a sfera



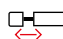



		OLD CODE	NEW CODE		TRACK-BINARIO 		
KIT	•	N° 4	—	K.050.2.2.C	Min. 740 mm	—	4x
		—	—	K.050.2.2.S	Min. 740 mm	—	4x
BLISTER	•	N° 4	—	B.050.2.2.C150	740 ÷ 850 mm	1500 mm	4x
		N° 5	—	B.050.2.2.C165	850 ÷ 950 mm	1650 mm	4x
		N° 5	—	B.050.2.2.C200	950 ÷ 1100 mm	2000 mm	4x
		N° 6	—	B.050.2.2.C250	1100 ÷ 1350 mm	2500 mm	4x
		N° 7	—	B.050.2.2.C300	1350 ÷ 1600 mm	3000 mm	4x
		—	—	B.050.2.2.S150	740 ÷ 850 mm	1500 mm	4x
		—	—	B.050.2.2.S165	850 ÷ 950 mm	1650 mm	4x
		—	—	B.050.2.2.S200	950 ÷ 1100 mm	2000 mm	4x
		—	—	B.050.2.2.S250	1100 ÷ 1350 mm	2500 mm	4x
		—	—	B.050.2.2.S300	1350 ÷ 1600 mm	3000 mm	4x








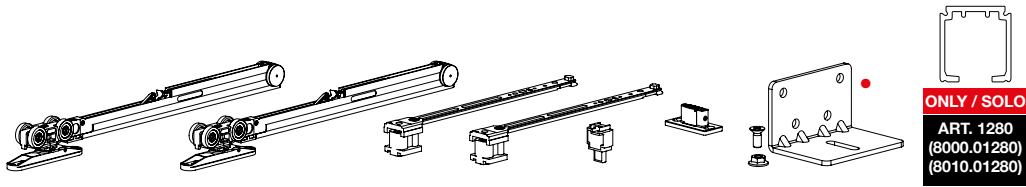
-  **80 kg**
-  **Min. 740 mm**
-  **70 mm**
-  N.2 Fluid dampers
N.2 Fermi ammortizzati
Fluid
-  **FLUID**
-  Ball bearings
Cuscinetti a sfera

		OLD CODE	NEW CODE		TRACK-BINARIO 		
KIT	•	N° 5	—	K.080.2.2.C	Min. 740 mm	—	4x
		—	—	K.080.2.2.S	Min. 740 mm	—	4x
BLISTER	•	N° 4	—	B.080.2.2.C150	740 ÷ 850 mm	1500 mm	4x
		N° 5	—	B.080.2.2.C165	850 ÷ 950 mm	1650 mm	4x
		N° 5	—	B.080.2.2.C200	950 ÷ 1100 mm	2000 mm	4x
		N° 6	—	B.080.2.2.C250	1100 ÷ 1350 mm	2500 mm	4x
		N° 7	—	B.080.2.2.C300	1350 ÷ 1600 mm	3000 mm	4x
		—	—	B.080.2.2.S150	740 ÷ 850 mm	1500 mm	4x
		—	—	B.080.2.2.S165	850 ÷ 950 mm	1650 mm	4x
		—	—	B.080.2.2.S200	950 ÷ 1100 mm	2000 mm	4x
		—	—	B.080.2.2.S250	1100 ÷ 1350 mm	2500 mm	4x
		—	—	B.080.2.2.S300	1350 ÷ 1600 mm	3000 mm	4x



-  **120 kg**
-  **Min. 740 mm**
-  **70 mm**
-  N.2 Fluid dampers
N.2 Fermi ammortizzati
Fluid
-  **FLUID**
-  Ball bearings
Cuscinetti a sfera

		OLD CODE	NEW CODE		TRACK-BINARIO 		
KIT	•	N° 6	—	K.120.2.2.C	Min. 740 mm	—	4x
		—	—	K.120.2.2.S	Min. 740 mm	—	4x
BLISTER	•	N° 4	—	B.120.2.2.C150	740 ÷ 850 mm	1500 mm	4x
		N° 5	—	B.120.2.2.C165	850 ÷ 950 mm	1650 mm	4x
		N° 5	—	B.120.2.2.C200	950 ÷ 1100 mm	2000 mm	4x
		N° 6	—	B.120.2.2.C250	1100 ÷ 1350 mm	2500 mm	4x
		N° 7	—	B.120.2.2.C300	1350 ÷ 1600 mm	3000 mm	4x
		—	—	B.120.2.2.S150	740 ÷ 850 mm	1500 mm	4x
		—	—	B.120.2.2.S165	850 ÷ 950 mm	1650 mm	4x
		—	—	B.120.2.2.S200	950 ÷ 1100 mm	2000 mm	4x
		—	—	B.120.2.2.S250	1100 ÷ 1350 mm	2500 mm	4x
		—	—	B.120.2.2.S300	1350 ÷ 1600 mm	3000 mm	4x



		OLD CODE	NEW CODE		TRACK-BINARIO		
KIT	●	N° 6	—	K.160.11.2.C	Min. 865 mm	—	4x
	—	—	—	K.160.11.2.S	Min. 865 mm	—	4x
BLISTER	●	N° 5	—	B.160.11.2.C200	865 ÷ 1100 mm	2000 mm	4x
		N° 6	—	B.160.11.2.C250	1100 ÷ 1350 mm	2500 mm	4x
		N° 7	—	B.160.11.2.C300	1350 ÷ 1600 mm	3000 mm	4x
	—	—	B.160.11.2.S200	865 ÷ 1100 mm	2000 mm	4x	
	—	—	B.160.11.2.S250	1100 ÷ 1350 mm	2500 mm	4x	
	—	—	B.160.11.2.S300	1350 ÷ 1600 mm	3000 mm	4x	

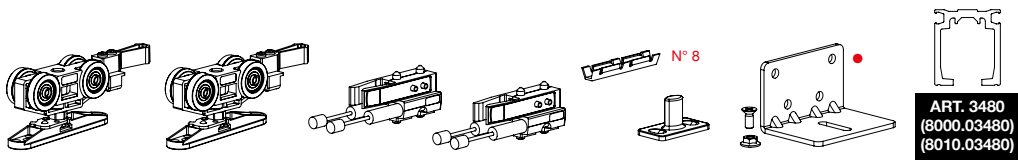
160 kg

Min. 865 mm

100 mm

N.2 Fluid dampers
N.2 Fermi ammortizzati
FLUID

Ball bearings
Cuscinetti a sfera



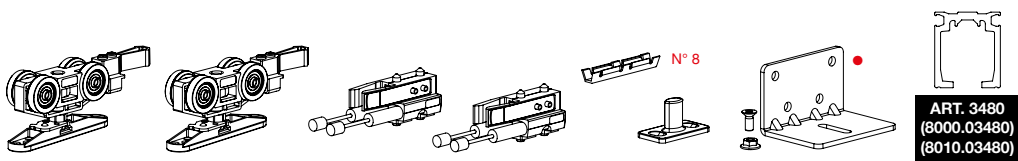
		OLD CODE	NEW CODE		TRACK-BINARIO		
KIT	●	N° 7	—	K.180.3.2.C	Min. 800 mm	—	5x
	—	—	—	K.180.3.2.S	Min. 800 mm	—	5x
BLISTER	●	N° 5	—	B.180.3.2.C200	800 ÷ 1100 mm	2000 mm	4x
		N° 6	—	B.180.3.2.C250	1100 ÷ 1350 mm	2500 mm	4x
		N° 7	—	B.180.3.2.C300	1350 ÷ 1600 mm	3000 mm	4x
	—	—	B.180.3.2.S200	800 ÷ 1100 mm	2000 mm	4x	
	—	—	B.180.3.2.S250	1100 ÷ 1350 mm	2500 mm	4x	
	—	—	B.180.3.2.S300	1350 ÷ 1600 mm	3000 mm	4x	

180 kg

Min. 800 mm

N.2 Shock absorber
N.2 Fermi a pinza
ammortizzati

Ball bearings
Cuscinetti a sfera



		OLD CODE	NEW CODE		TRACK-BINARIO		
KIT	●	N° 7	—	K.250.3.2.C	Min. 800 mm	—	5x
	—	—	—	K.250.3.2.S	Min. 800 mm	—	5x
BLISTER	●	N° 5	—	B.250.3.2.C200	800 ÷ 1100 mm	2000 mm	4x
		N° 6	—	B.250.3.2.C250	1100 ÷ 1350 mm	2500 mm	4x
		N° 7	—	B.250.3.2.C300	1350 ÷ 1600 mm	3000 mm	4x
	—	—	B.250.3.2.S200	800 ÷ 1100 mm	2000 mm	4x	
	—	—	B.250.3.2.S250	1100 ÷ 1350 mm	2500 mm	4x	
	—	—	B.250.3.2.S300	1350 ÷ 1600 mm	3000 mm	4x	

250 kg

Min. 800 mm

N.2 Shock absorber
N.2 Fermi a pinza
ammortizzati

Ball bearings
Cuscinetti a sfera

Step

Automatic frontal bracket system
Scorrevoli con staffa automatica frontale

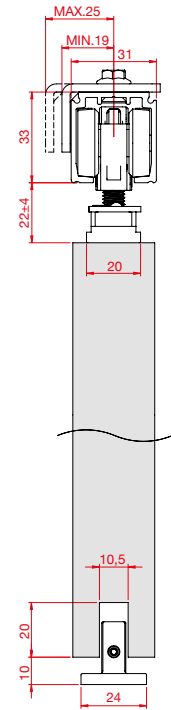
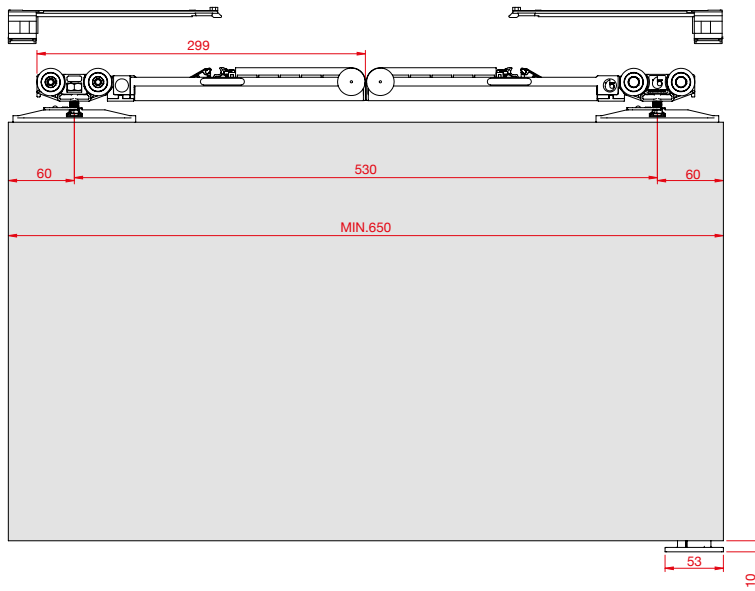
N.2 Fluid dampers - Min. 650 mm
N.2 Fermi ammortizzati Fluid - Min. 650 mm



30 kg
80 kg



50 mm



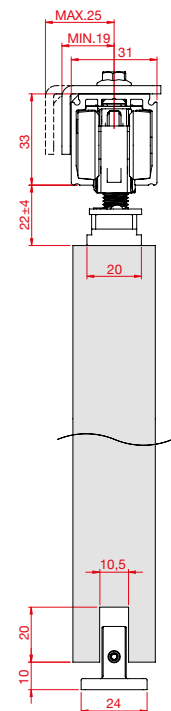
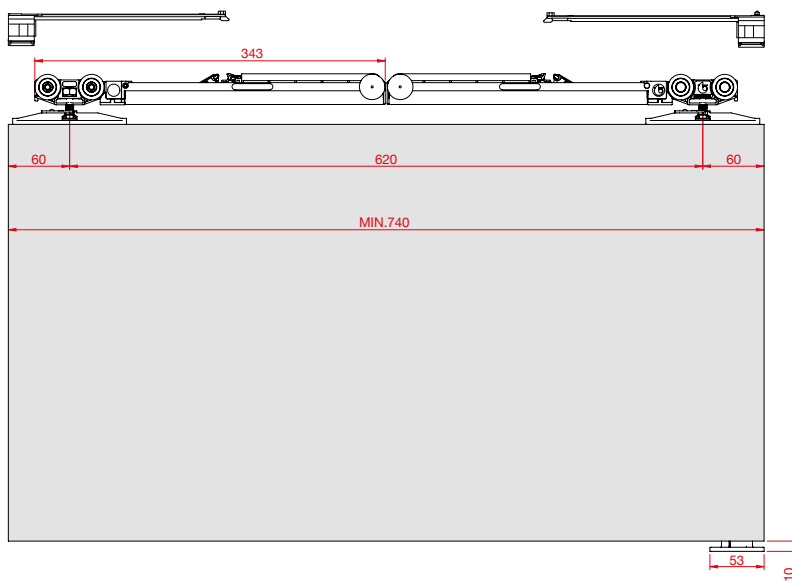
N.2 Fluid dampers - Min. 740 mm
N.2 Fermi ammortizzati Fluid - Min. 740 mm



50 kg
80 kg
120 kg

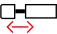


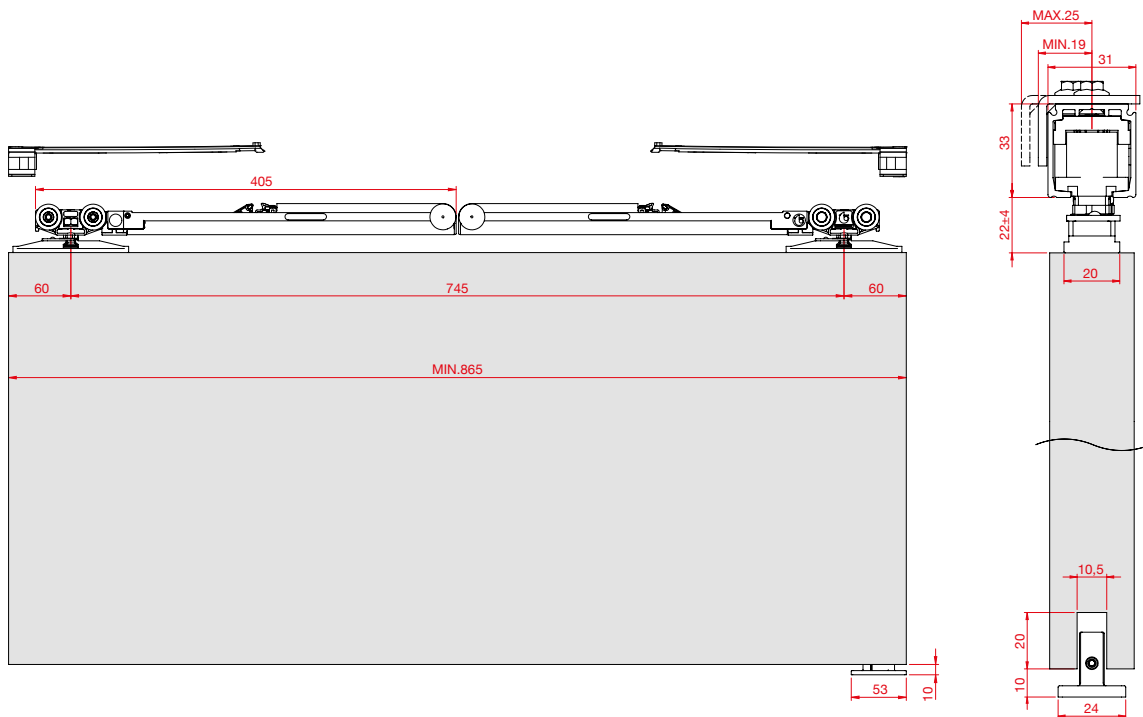
70 mm



N.2 Fluid dampers - Min. 865 mm
 N.2 Fermi ammortizzati Fluid - Min. 865 mm

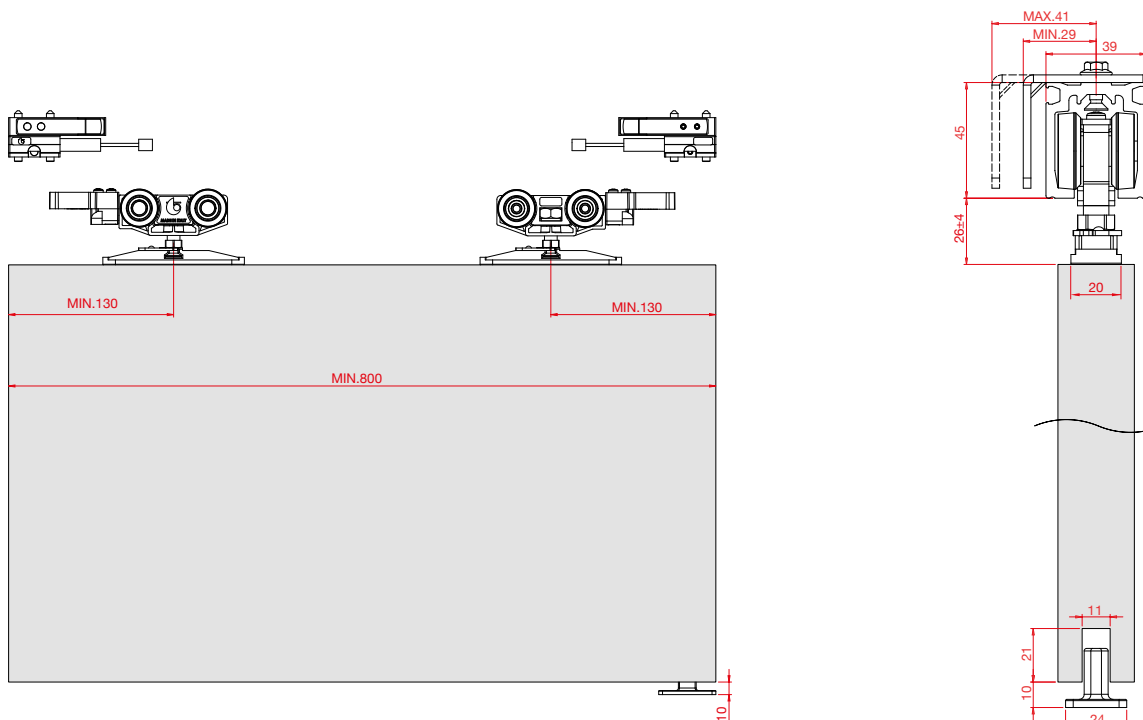

160 kg


100 mm



N.2 Shock absorber - Min. 800 mm
 N.2 Fermi a pinza ammortizzati - Min. 800 mm


200 kg
250 kg





Terno Scorrevoli S.p.A.

**Via Ravenna, 4 - 20814 Varedo (MB) ITALY
Phone +39 0362 543001 - Fax +39 0362 582290**

**terno@ternoscorrevoli.com
www.ternoscorrevoli.com**