



Hide **WITH FLUID** TECHNOLOGY

Slides with hidden bracket
Scorrevoli con staffa a scomparsa



Hide

PATENTED

Hide is a sliding system with **lateral manual coupling bracket** for wooden doors.

Hide bracket can be **fully recessed into the door**, in order to reduce the gap between door and track

Hide is available with the **new Fluid soft closing dampers**, in order to achieve an optimal braking motion and a noiseless sliding quality for doors of all sizes.

Maximum load capacity up to **250 kg**.

Hide è il sistema di scorrimento con **staffa ad innesto manuale laterale**, per porte in legno.

La staffa di attacco è **interamente incassabile**, per ridurre lo spazio tra porta e binario.

Hide è disponibile con i **nuovi ammortizzatori Fluid**, per una ottimale frenatura e silenziosità di scorrimento per porte di tutte le larghezze.

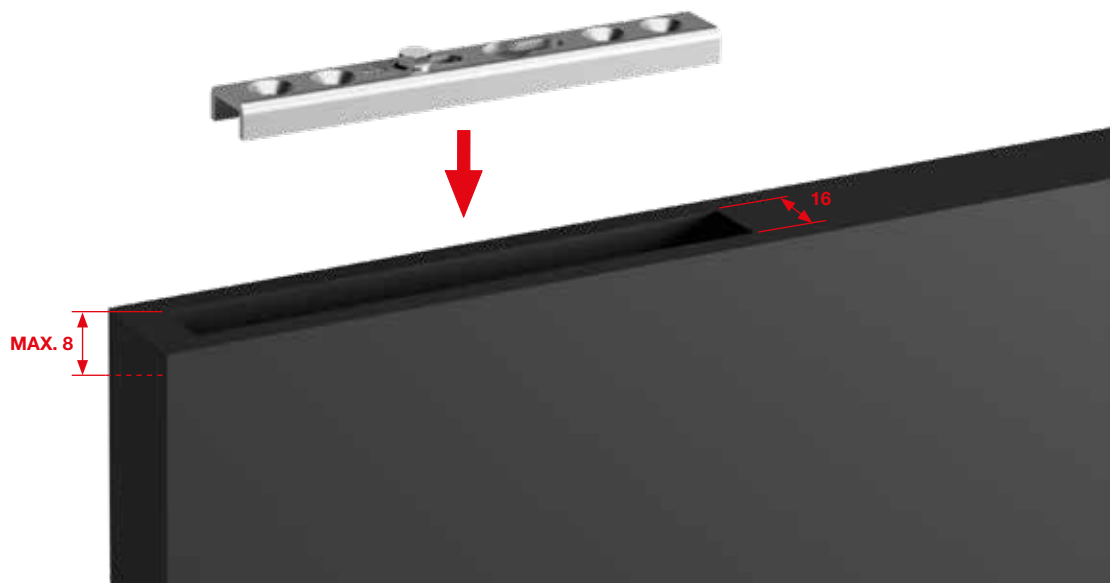
Kit con portata fino a **250 kg**.



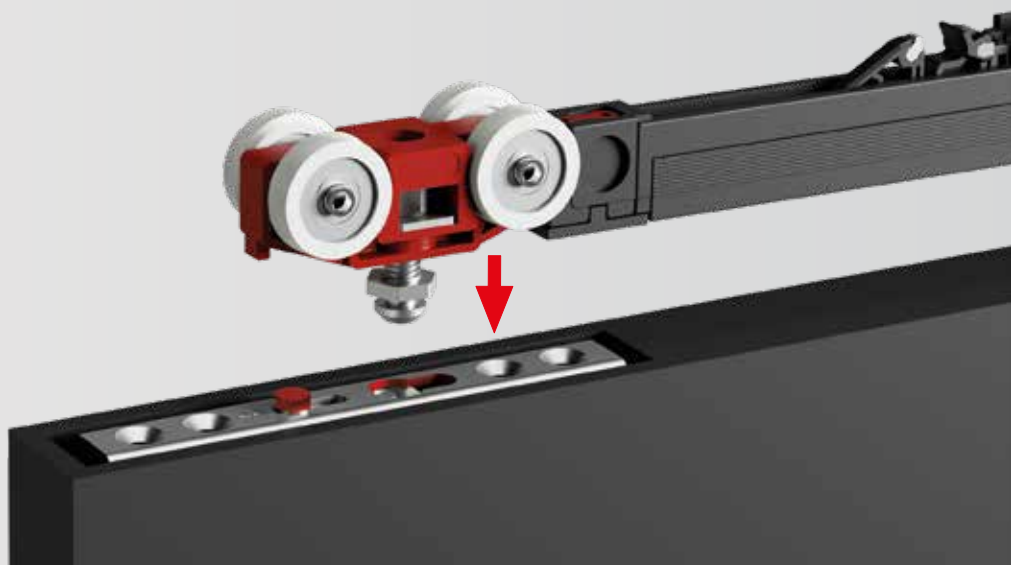


Easy mounting Facile da montare

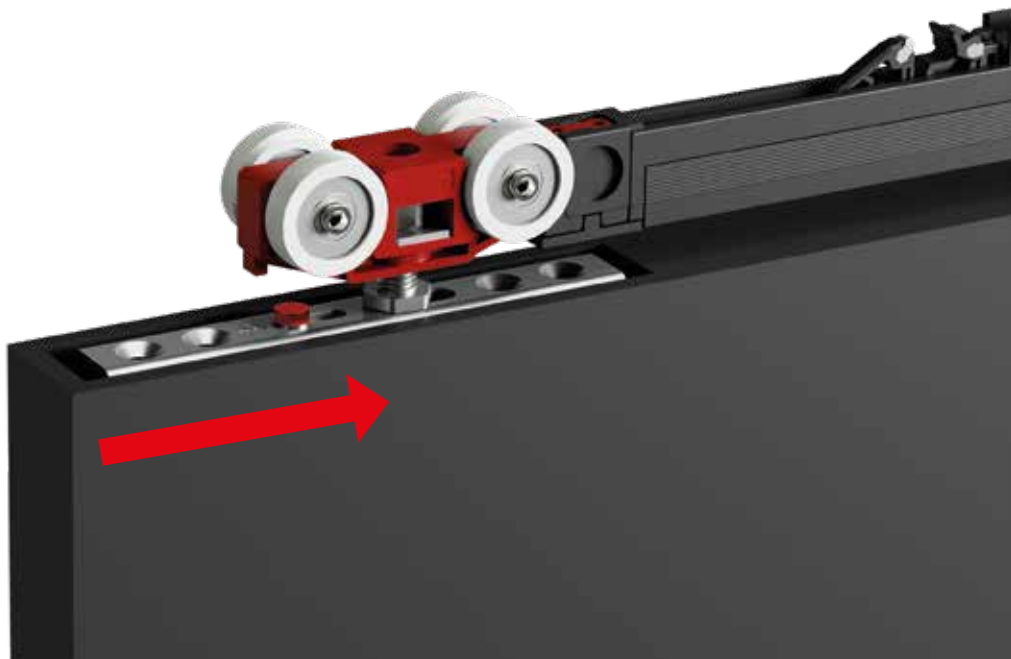
1 Milled
Fresata



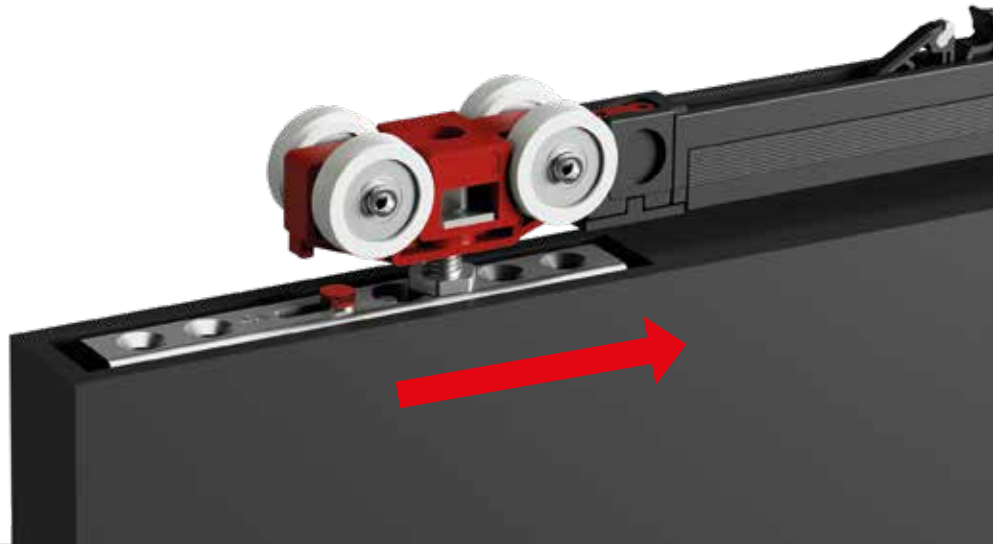
2 Insert trolley
Inserire il
carrello



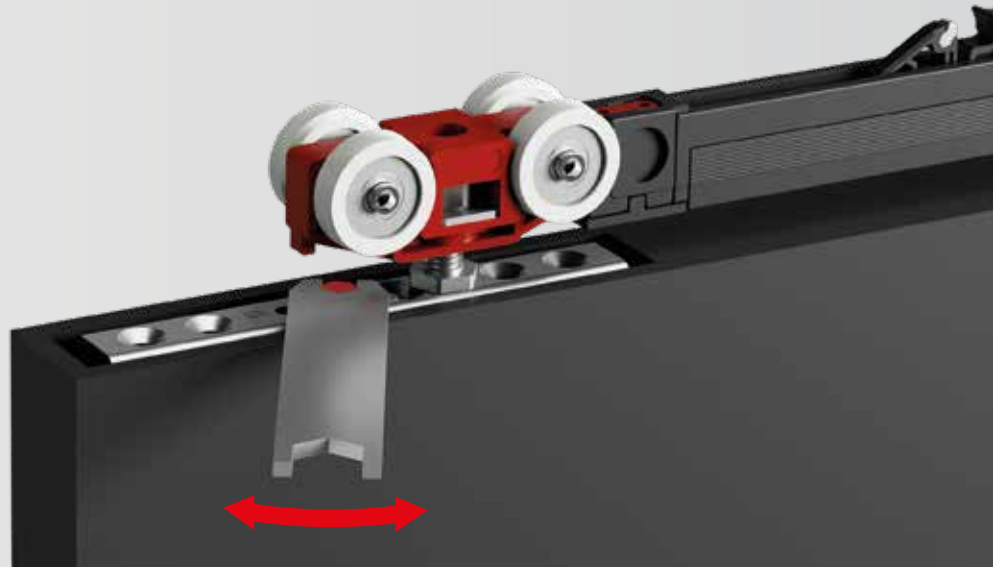
3 Lock it
Bloccare



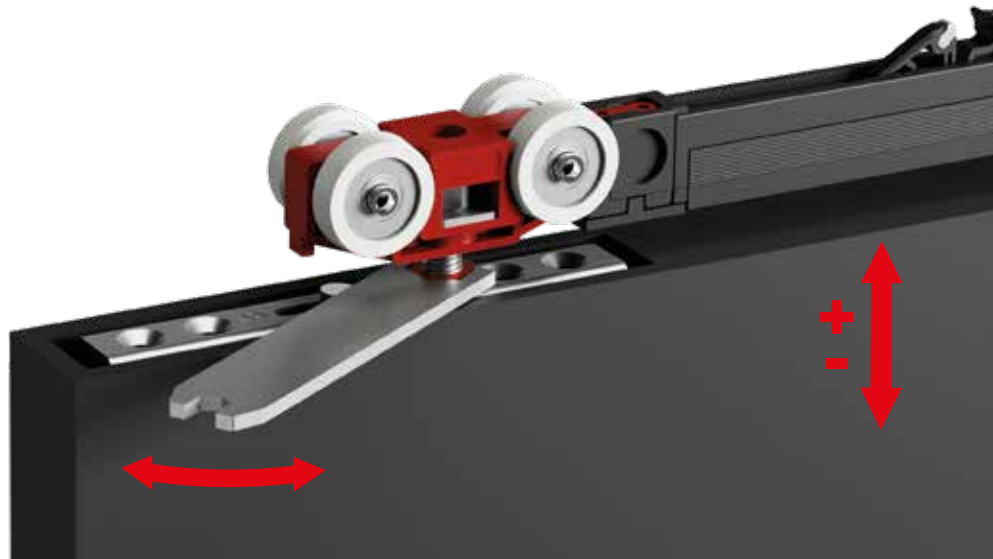
4 Lock it
Bloccare



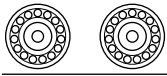
5 Fix
Fissaggio



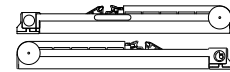
6 Adjusting
Regolazione



WITH
FLUID[®]
TECHNOLOGY



BALL BEARINGS / CUSCINETTI A SFERA



N.2 FLUID DAMPERS
N.2 FERMI AMMORTIZZATI FLUID




MIN. 710 mm

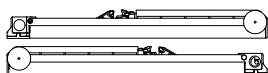


50 mm

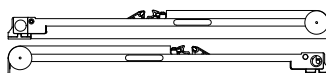
	50 kg		ART. 1280 8 00 0.01280 8 01 0.01280
	80 kg		ART. 1280 8 00 0.01280 8 01 0.01280
	120 kg		ART. 1280 8 00 0.01280 8 01 0.01280
	160 kg		ART. 1280 8 00 0.01280 8 01 0.01280
	180 kg		ART. 3480 8 00 0.03480 8 01 0.03480
	250 kg		ART. 3480 8 00 0.03480 8 01 0.03480


PAG. 11

Tracks / Binari		ALUMINUM FINISHES CODES / CODICI FINITURE ALLUMINIO		
CODE / CODICE		FINISH COLOR / COLORE FINITURA		
8 00 0.0	 00	G	Raw / Mill Finish / Neutro / Grezzo	STANDARD
8 01 0.0	 01	A	Anodized Silver / Argento	
8 02 0.0	 02	AS	Brushed Anodized Silver / Argento Spazzolato	
8 13 0.0	 13	E3S	Brushed Anodized Dark Brown / E3 Spazzolato	SPECIAL
8 15 0.0	 15	NS	Brushed Anodized Black / Nero Spazzolato	
8 17 0.0	 17	NKS	Brushed Anodized Nickel / Nichel Spazzolato	



N.2 FLUID DAMPERS
N.2 FERMI AMMORTIZZATI FLUID



N.2 FLUID DAMPERS
N.2 FERMI AMMORTIZZATI FLUID

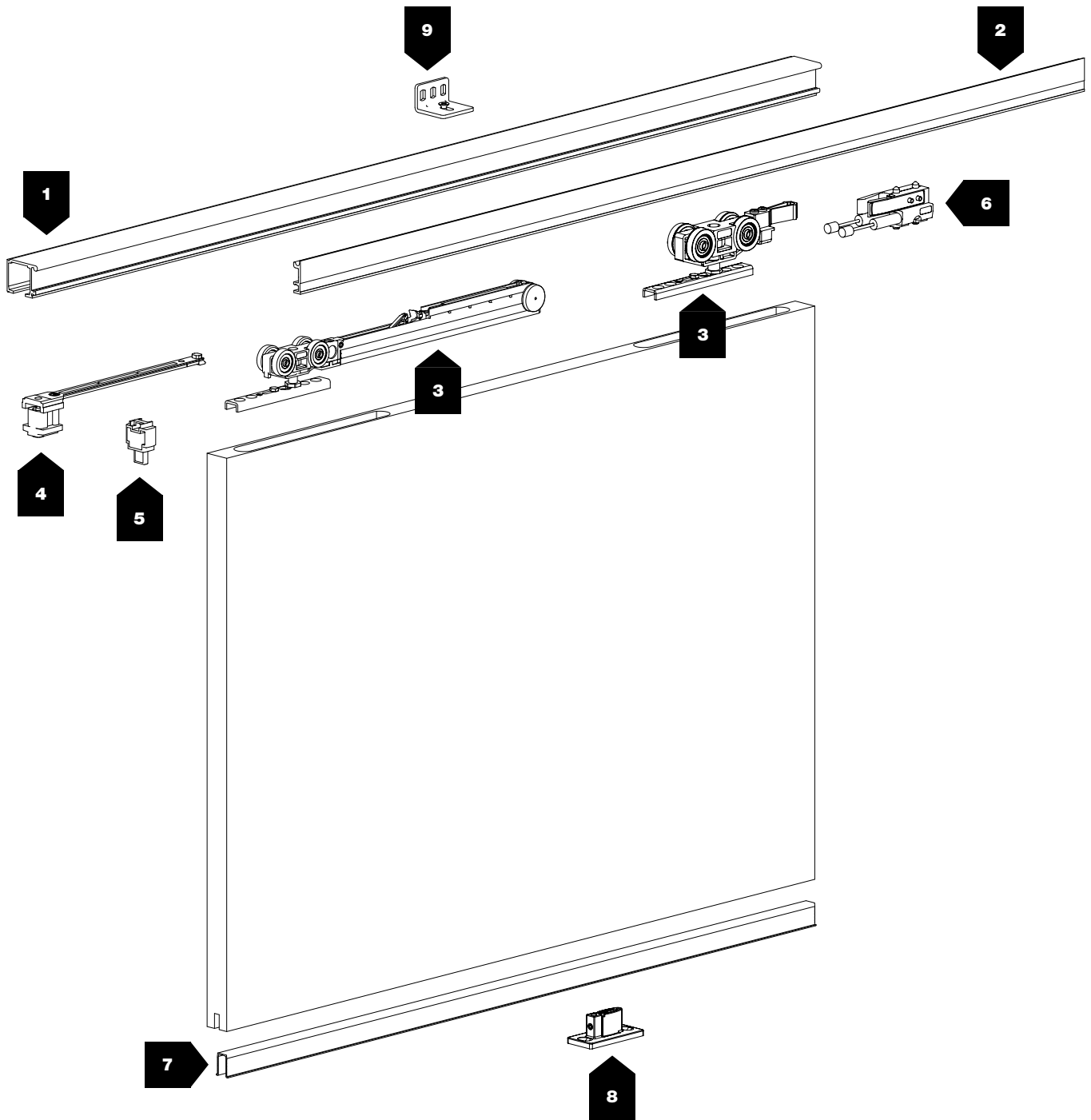


N.2 SHOCK ABSORBERS
N.2 FERMI A PINZA AMMORTIZZATI



●		
PAG. 12		
●		
PAG. 12		
●		
PAG. 12		
	●	
	PAG. 13	
		●
		PAG. 13
		●
		PAG. 13

Tracks / Binari		PLASTIC FINISHES CODES / CODICI FINITURE PLASTICA		
CODE / CODICE	FINISH COLOR / COLORE FINITURA			
8 14 0.0	<div style="display: inline-block; width: 15px; height: 15px; background-color: black; margin-right: 5px;"></div> 14 N Anodized Black / Nero	STANDARD		
8 23 0.0	<div style="display: inline-block; width: 15px; height: 15px; background-color: gray; margin-right: 5px;"></div> 23 GR Gray / Grigio			

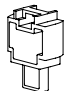
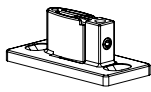
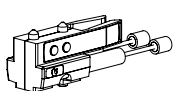
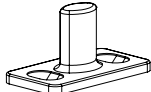

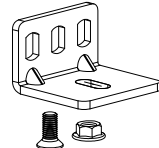


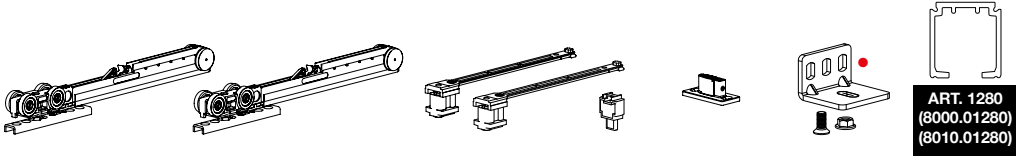
710 ÷ 1600 mm



Min. 30 - Max 250 kg

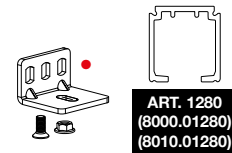
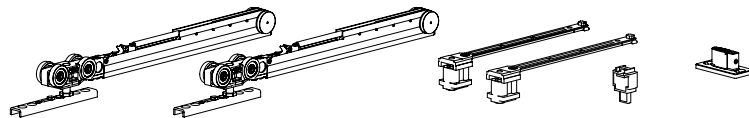
N°	Barcode		kg		N°	Barcode		kg	
1	1280 8 00 0.01280 8 01 0.01280		30÷160	STANDARD	2	3490 8 02 0.03490		-	OPTIONAL +
	1080 8 00 0.01080 8 01 0.01080		30÷120	OPTIONAL +		3491		-	OPTIONAL +
	1359 8 00 0.01359 8 01 0.01359		30÷120	OPTIONAL +	3	3391		30÷80	NEW 50 mm
	1559 8 00 0.01559 8 01 0.01559		30÷120	OPTIONAL +		3392/080		50÷120	 70 mm
	1700 8 00 0.01700 8 01 0.01700		30÷120	OPTIONAL +		3392-160		160	NEW 100 mm
	3480 8 00 0.03480 8 01 0.03480		180÷250	STANDARD		3528		180÷250	
	1710 8 00 0.01710 8 01 0.01710		30÷120	OPTIONAL +		4	3387		30÷80
1720 8 00 0.01720 8 01 0.01720		30÷120	OPTIONAL +	3354			50÷120		
				3367			160	NEW	

N°			kg		N°			kg	
5	3347		-		8	333		30÷160	
6	3485/250		250		8	2855		180÷250	
7	121 8 14 0.00121 8 23 0.00121		-		9	127/D/V		30÷120	
									OPTIONAL +



		OLD CODE	NEW CODE			
KIT	● N° 5	—	K.080.7.5.C	Min. 710 mm	—	4x
	—	—	K.080.7.5.S	Min. 710 mm	—	4x
BLISTER	● N° 4	—	B.080.7.5.C150	710 ÷ 850 mm	1500 mm	4x
	N° 5	—	B.080.7.5.C165	850 ÷ 950 mm	1650 mm	4x
	N° 5	—	B.080.7.5.C200	950 ÷ 1100 mm	2000 mm	4x
	N° 6	—	B.080.7.5.C250	1100 ÷ 1350 mm	2500 mm	4x
	N° 7	—	B.080.7.5.C300	1350 ÷ 1600 mm	3000 mm	4x
	—	—	B.080.7.5.S150	710 ÷ 850 mm	1500 mm	4x
	—	—	B.080.7.5.S165	850 ÷ 950 mm	1650 mm	4x
	—	—	B.080.7.5.S200	950 ÷ 1100 mm	2000 mm	4x
	—	—	B.080.7.5.S250	1100 ÷ 1350 mm	2500 mm	4x
	—	—	B.080.7.5.S300	1350 ÷ 1600 mm	3000 mm	4x

- 30 ÷ 80 kg**
- Min. 710 mm**
- 50 mm**
- N.2 Fluid dampers
N.2 Fermi ammortizzati
FLUID
- Ball bearings
Cuscinetti a sfera



ART. 1280
(8000.01280)
(8010.01280)



50 kg



Min. 810 mm



70 mm

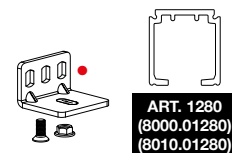
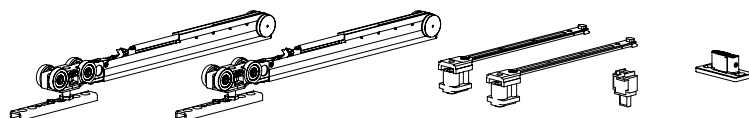


N.2 Fluid dampers
N.2 Fermi ammortizzati
Fluid



Ball bearings
Cuscinetti a sfera

		OLD CODE	NEW CODE		TRACK-BINARIO	
KIT	•	N° 4	—	K.050.2.5.C	Min. 810 mm	4x
		—	—	K.050.2.5.S	Min. 810 mm	4x
BLISTER	•	N° 4	—	B.050.2.5.C150	810 ÷ 850 mm	4x
		N° 5	—	B.050.2.5.C165	850 ÷ 950 mm	4x
		N° 5	—	B.050.2.5.C200	950 ÷ 1100 mm	4x
		N° 6	—	B.050.2.5.C250	1100 ÷ 1350 mm	4x
		N° 7	—	B.050.2.5.C300	1350 ÷ 1600 mm	4x
		—	—	B.050.2.5.S150	810 ÷ 850 mm	4x
		—	—	B.050.2.5.S165	850 ÷ 950 mm	4x
		—	—	B.050.2.5.S200	950 ÷ 1100 mm	4x
	—	—	B.050.2.5.S250	1100 ÷ 1350 mm	4x	
	—	—	B.050.2.5.S300	1350 ÷ 1600 mm	4x	



ART. 1280
(8000.01280)
(8010.01280)



80 kg



Min. 810 mm



70 mm

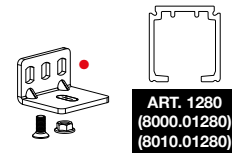
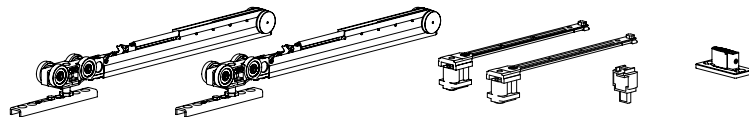


N.2 Fluid dampers
N.2 Fermi ammortizzati
Fluid



Ball bearings
Cuscinetti a sfera

		OLD CODE	NEW CODE		TRACK-BINARIO	
KIT	•	N° 5	—	K.080.2.5.C	Min. 810 mm	4x
		—	—	K.080.2.5.S	Min. 810 mm	4x
BLISTER	•	N° 4	—	B.080.2.5.C150	810 ÷ 850 mm	4x
		N° 5	—	B.080.2.5.C165	850 ÷ 950 mm	4x
		N° 5	—	B.080.2.5.C200	950 ÷ 1100 mm	4x
		N° 6	—	B.080.2.5.C250	1100 ÷ 1350 mm	4x
		N° 7	—	B.080.2.5.C300	1350 ÷ 1600 mm	4x
		—	—	B.080.2.5.S150	810 ÷ 850 mm	4x
		—	—	B.080.2.5.S165	850 ÷ 950 mm	4x
		—	—	B.080.2.5.S200	950 ÷ 1100 mm	4x
	—	—	B.080.2.5.S250	1100 ÷ 1350 mm	4x	
	—	—	B.080.2.5.S300	1350 ÷ 1600 mm	4x	



ART. 1280
(8000.01280)
(8010.01280)



120 kg



Min. 810 mm



70 mm

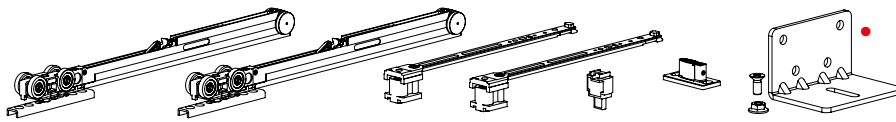


N.2 Fluid dampers
N.2 Fermi ammortizzati
Fluid



Ball bearings
Cuscinetti a sfera

		OLD CODE	NEW CODE		TRACK-BINARIO	
KIT	•	N° 6	—	K.120.2.5.C	Min. 810 mm	4x
		—	—	K.120.2.5.S	Min. 810 mm	4x
BLISTER	•	N° 4	—	B.120.2.5.C150	810 ÷ 850 mm	4x
		N° 5	—	B.120.2.5.C165	850 ÷ 950 mm	4x
		N° 5	—	B.120.2.5.C200	950 ÷ 1100 mm	4x
		N° 6	—	B.120.2.5.C250	1100 ÷ 1350 mm	4x
		N° 7	—	B.120.2.5.C300	1350 ÷ 1600 mm	4x
		—	—	B.120.2.5.S150	810 ÷ 850 mm	4x
		—	—	B.120.2.5.S165	850 ÷ 950 mm	4x
		—	—	B.120.2.5.S200	950 ÷ 1100 mm	4x
	—	—	B.120.2.5.S250	1100 ÷ 1350 mm	4x	
	—	—	B.120.2.5.S300	1350 ÷ 1600 mm	4x	



		OLD CODE	NEW CODE			
KIT	•	N° 6	—	K.160.11.5.C	Min. 930 mm	5x
		—	—	K.160.11.5.S	Min. 930 mm	5x
BLISTER	•	N° 5	—	B.160.11.5.C200	930 ÷ 1100 mm	4x
		N° 6	—	B.160.11.5.C250	1100 ÷ 1350 mm	4x
		N° 7	—	B.160.11.5.C300	1350 ÷ 1600 mm	4x
		—	—	B.160.11.5.S200	930 ÷ 1100 mm	4x
		—	—	B.160.11.5.S250	1100 ÷ 1350 mm	4x
		—	—	B.160.11.5.S300	1350 ÷ 1600 mm	4x

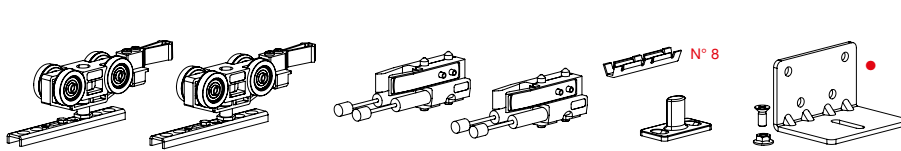
160 kg

Min. 930 mm

100 mm

N.2 Fluid dampers
N.2 Fermi ammortizzati
FLUID Fluid

Ball bearings
Cuscinetti a sfera



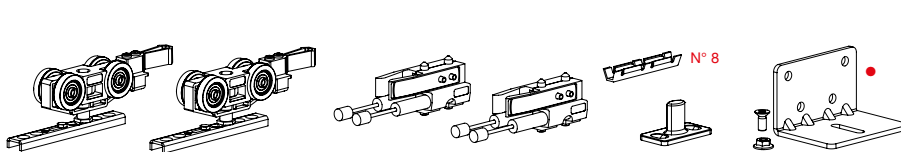
		OLD CODE	NEW CODE			
KIT	•	N° 7	—	K.180.3.5.C	Min. 800 mm	5x
		—	—	K.180.3.5.S	Min. 800 mm	5x
BLISTER	•	N° 5	—	B.180.3.5.C200	800 ÷ 1100 mm	4x
		N° 6	—	B.180.3.5.C250	1100 ÷ 1350 mm	4x
		N° 7	—	B.180.3.5.C300	1350 ÷ 1600 mm	4x
		—	—	B.180.3.5.S200	800 ÷ 1100 mm	4x
		—	—	B.180.3.5.S250	1100 ÷ 1350 mm	4x
		—	—	B.180.3.5.S300	1350 ÷ 1600 mm	4x

180 kg

Min. 800 mm

N.2 Shock absorber
N.2 Fermi a pinza
ammortizzati

Ball bearings
Cuscinetti a sfera



		OLD CODE	NEW CODE			
KIT	•	N° 7	—	K.250.3.5.C	Min. 800 mm	5x
		—	—	K.250.3.5.S	Min. 800 mm	5x
BLISTER	•	N° 5	—	B.250.3.5.C200	800 ÷ 1100 mm	4x
		N° 6	—	B.250.3.5.C250	1100 ÷ 1350 mm	4x
		N° 7	—	B.250.3.5.C300	1350 ÷ 1600 mm	4x
		—	—	B.250.3.5.S200	800 ÷ 1100 mm	4x
		—	—	B.250.3.5.S250	1100 ÷ 1350 mm	4x
		—	—	B.250.3.5.S300	1350 ÷ 1600 mm	4x

250 kg

Min. 800 mm

N.2 Shock absorber
N.2 Fermi a pinza
ammortizzati

Ball bearings
Cuscinetti a sfera

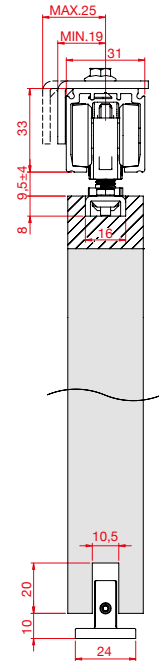
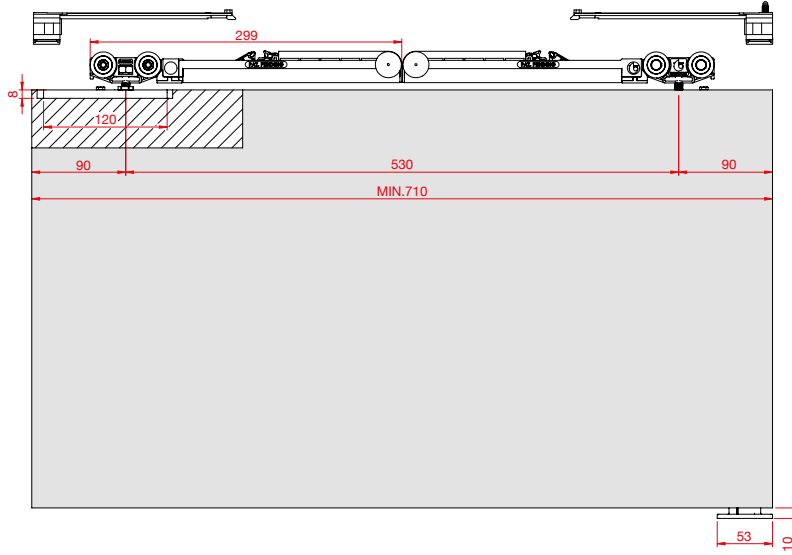
N.2 Fluid dampers - Min. 710 mm
N.2 Fermi ammortizzati Fluid - Min. 710 mm



30 kg
80 kg



50 mm



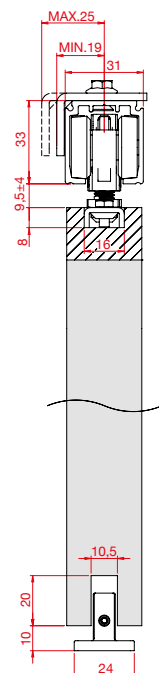
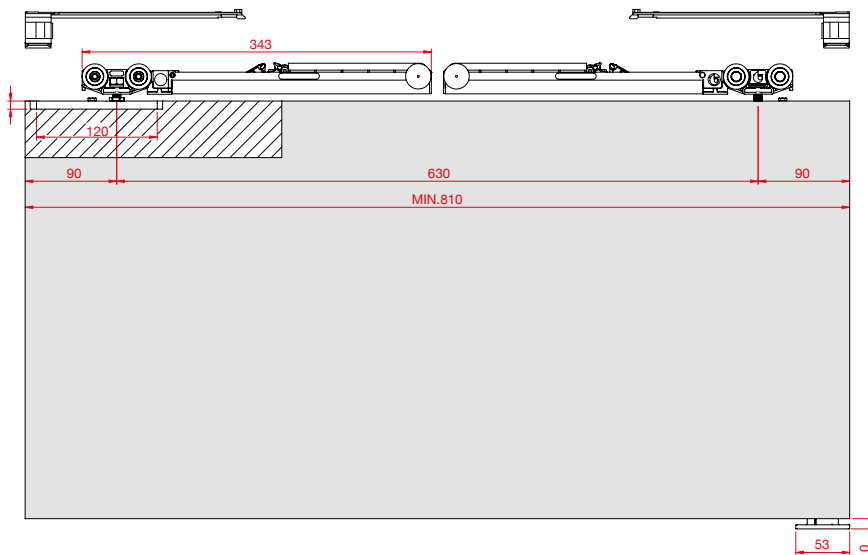
N.2 Fluid dampers - Min. 810 mm
N.2 Fermi ammortizzati Fluid - Min. 810 mm



50 kg
80 kg
120 kg



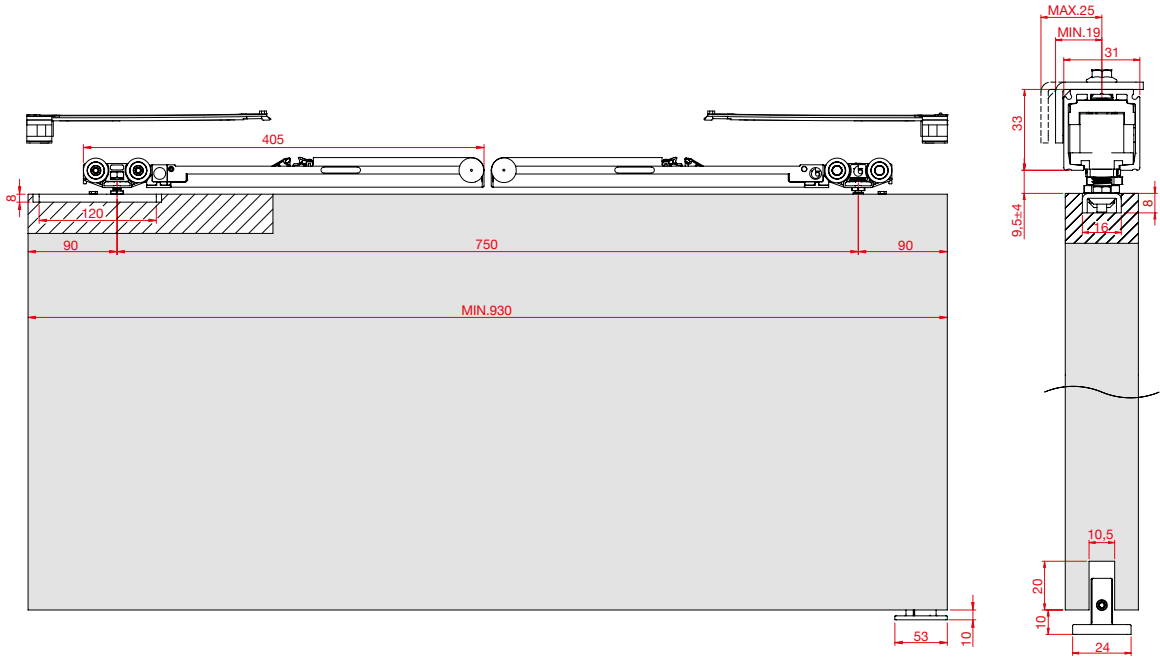
70 mm



N.2 Fluid dampers - Min. 930 mm
N.2 Fermi ammortizzati Fluid - Min. 930 mm

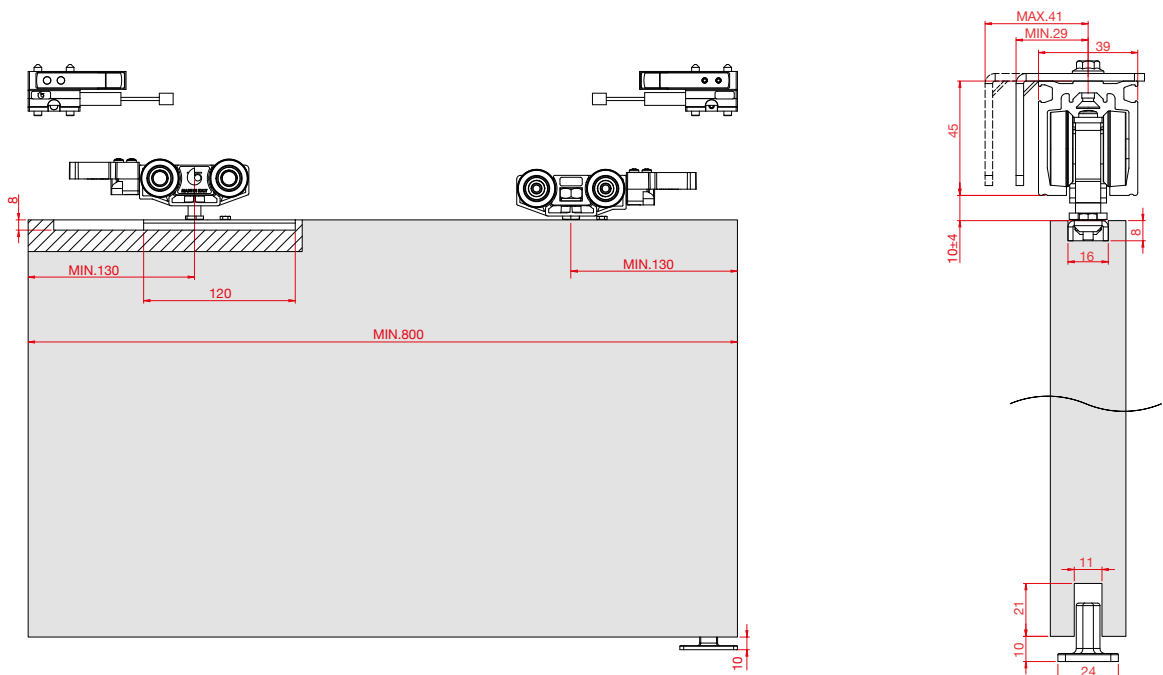

160 kg


100 mm



N.2 Shock absorber - Min. 800 mm
N.2 Fermi a pinza ammortizzati - Min. 800 mm


200 kg
250 kg





Terno Scorrevoli S.p.A.

**Via Ravenna, 4 - 20814 Varedo (MB) ITALY
Phone +39 0362 543001 - Fax +39 0362 582290**

**terno@ternoscorrevoli.com
www.ternoscorrevoli.com**