



Classic **WITH FLUID**[®] TECHNOLOGY

Slides with standard bracket
Scorrevoli con staffa normale



Classic

PATENTED

Classic is the **most traditional sliding system** with **front manual coupling bracket** dedicated to wooden doors.

Classic is available with the **new Fluid soft closing dampers** in order to achieve an optimal braking motion and a noiseless sliding quality for doors of all sizes. Maximum load capacity up to **250 kg**.

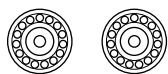
Classic è il sistema di **scorrimento tradizionale con staffa ad innesto manuale frontale**, per porte in legno.

Classic è disponibile con i **nuovi ammortizzatori Fluid**, per una ottimale frenatura e silenziosità di scorrimento per porte di tutte le larghezze. Kit con portata fino a **250 kg**.

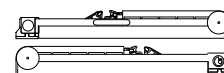




WITH
FLUID[®]
TECHNOLOGY



BALL BEARINGS / CUSCINETTI A SFERA



N.2 FLUID DAMPERS
N.2 FERMI AMMORTIZZATI FLUID



MIN. 650 mm

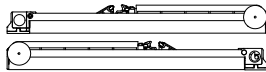


50 mm

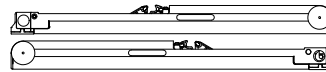
	50 kg		ART. 1280 8 00 0.01280 8 01 0.01280
	80 kg		ART. 1280 8 00 0.01280 8 01 0.01280
	120 kg		ART. 1280 8 00 0.01280 8 01 0.01280
	160 kg		ART. 1280 8 00 0.01280 8 01 0.01280
	180 kg		ART. 3480 8 00 0.03480 8 01 0.03480
	250 kg		ART. 3480 8 00 0.03480 8 01 0.03480

PAG. 9

Tracks / Binari		ALUMINUM FINISHES CODES / CODICI FINITURE ALLUMINIO		
CODE / CODICE		FINISH COLOR / COLORE FINITURA		
8 00 0.0	 00	G Raw / Mill Finish / Neutro / Grezzo	STANDARD	
8 01 0.0	 01	A Anodized Silver / Argento		
8 02 0.0	 02	AS Brushed Anodized Silver / Argento Spazzolato		
8 13 0.0	 13	E3S Brushed Anodized Dark Brown / E3 Spazzolato	SPECIAL	
8 15 0.0	 15	NS Brushed Anodized Black / Nero Spazzolato		
8 17 0.0	 17	NKS Brushed Anodized Nickel / Nichel Spazzolato		



N.2 FLUID DAMPERS
N.2 FERMI AMMORTIZZATI FLUID



N.2 FLUID DAMPERS
N.2 FERMI AMMORTIZZATI FLUID



N.2 SHOCK ABSORBERS
N.2 FERMI A PINZA AMMORTIZZATI



MIN. 740 mm



70 mm



MIN. 865 mm



100 mm



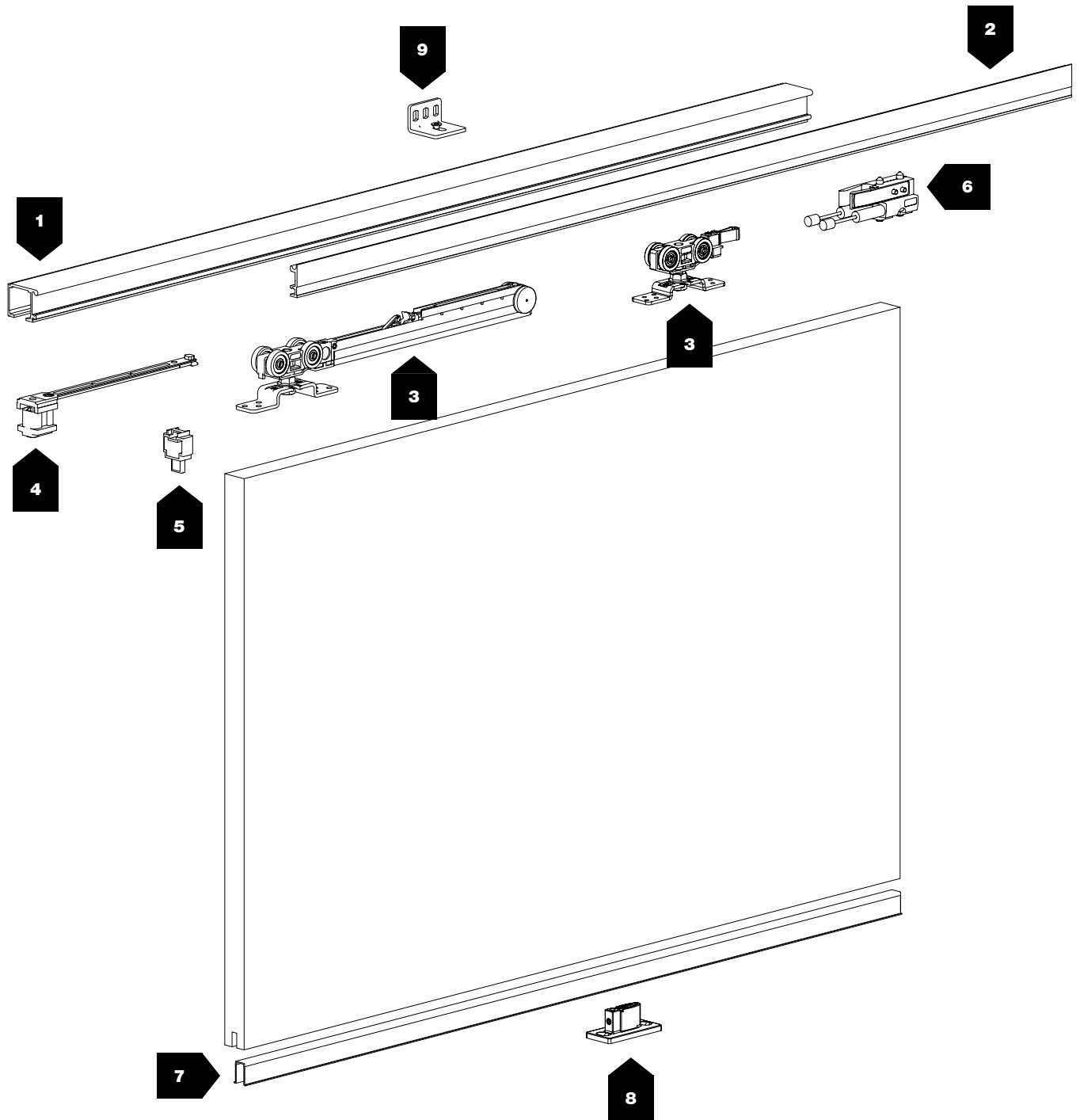
MIN. 800 mm

●		
PAG. 10		
●		
PAG. 10		
●		
PAG. 10		
	●	
	PAG. 11	
		●
		PAG. 11
		●
		PAG. 11

Tracks / Binari		PLASTIC FINISHES CODES / CODICI FINITURE PLASTICA		
CODE / CODICE		FINISH COLOR / COLORE FINITURA		
8 14 0.0	14	N	Anodized Black / Nero	STANDARD
8 23 0.0	23	GR	Gray / Grigio	

Classic

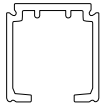

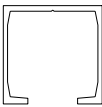

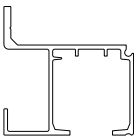
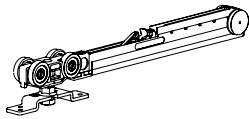
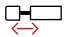
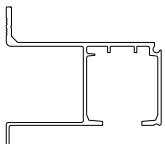
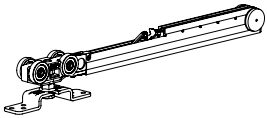
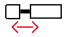
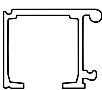
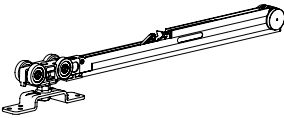
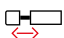
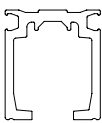
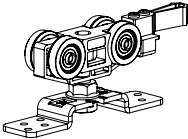
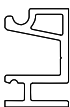
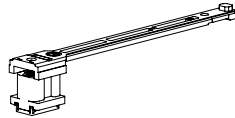

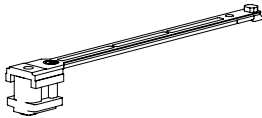
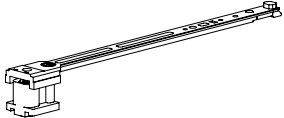
Slides with standard bracket
Scorrevoli con staffa normale

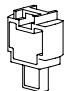
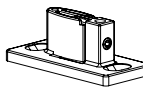
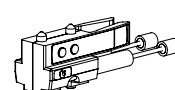
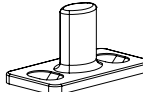
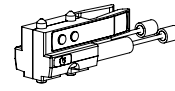



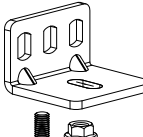
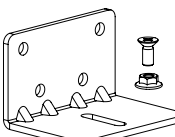


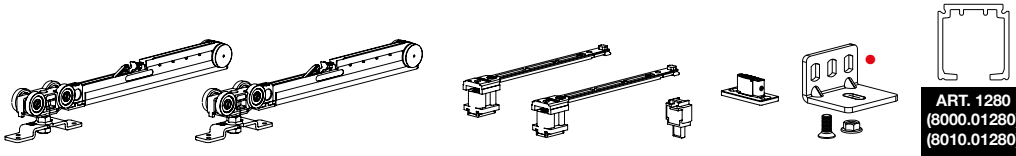
650 ÷ 1600 mm



Min. 30 - Max 250 kg

N°	Barcode		kg		N°	Barcode		kg	
1	1280 8 00 0.01280 8 01 0.01280		30÷160	STANDARD	2	3490 8 02 0.03490		-	OPTIONAL +
	1080 8 00 0.01080 8 01 0.01080		30÷120	OPTIONAL +		3491		-	OPTIONAL +
	1359 8 00 0.01359 8 01 0.01359		30÷120	OPTIONAL +	3	3396		30÷80	NEW  50 mm
	1559 8 00 0.01559 8 01 0.01559		30÷120	OPTIONAL +		3352/080		50÷120	 70 mm
	1700 8 00 0.01700 8 01 0.01700		30÷120	OPTIONAL +		3352/160		160	NEW  100 mm
	3480 8 00 0.03480 8 01 0.03480		180÷250	STANDARD		3488		180÷250	
	1710 8 00 0.01710 8 01 0.01710		30÷120	OPTIONAL +		3387		30÷80	NEW
1720 8 00 0.01720 8 01 0.01720		30÷120	OPTIONAL +	3354		50÷120			
2					3367		160	NEW	

N°			kg		N°			kg	
5	3347		-		8	333		30÷160	
		3485/180		180		2855		180÷250	
		3485/250		250		409		-	
6	121 8 14 0.00121 8 23 0.00121		-		9	127/D/V		30÷120	
						163/DV		160÷250	



		OLD CODE	NEW CODE			
KIT	● N° 5	—	K.080.7.1.C	Min. 650 mm	—	4x
	—	—	K.080.7.1.S	Min. 650 mm	—	4x
BLISTER	● N° 4	—	B.080.7.1.C150	650 ÷ 850 mm	1500 mm	4x
	N° 5	—	B.080.7.1.C165	850 ÷ 950 mm	1650 mm	4x
	N° 5	—	B.080.7.1.C200	950 ÷ 1100 mm	2000 mm	4x
	N° 6	—	B.080.7.1.C250	1100 ÷ 1350 mm	2500 mm	4x
	N° 7	—	B.080.7.1.C300	1350 ÷ 1600 mm	3000 mm	4x
	—	—	B.080.7.1.S150	650 ÷ 850 mm	1500 mm	4x
	—	—	B.080.7.1.S165	850 ÷ 950 mm	1650 mm	4x
	—	—	B.080.7.1.S200	950 ÷ 1100 mm	2000 mm	4x
	—	—	B.080.7.1.S250	1100 ÷ 1350 mm	2500 mm	4x
	—	—	B.080.7.1.S300	1350 ÷ 1600 mm	3000 mm	4x



30 ÷ 80 kg



Min. 650 mm



50 mm



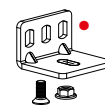
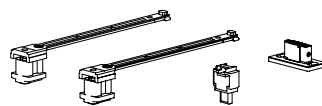
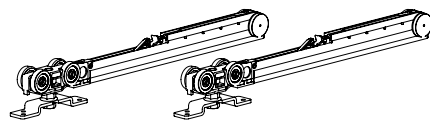
N.2 Fluid dampers
N.2 Fermi ammortizzati
Fluid



Ball bearings
Cuscinetti a sfera

Classic

Slides with standard bracket
Scorrevoli con staffa normale



ART. 1280
(8000.01280)
(8010.01280)



50 kg



Min. 740 mm



70 mm

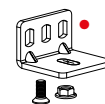
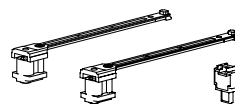
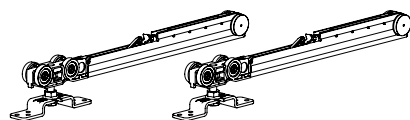


N.2 Fluid dampers
N.2 Fermi ammortizzati
Fluid



Ball bearings
Cuscinetti a sfera

			OLD CODE	NEW CODE		TRACK-BINARIO 	
KIT	●	N° 4	—	K.050.2.1.C	Min. 740 mm	—	4x
			—	K.050.2.1.S	Min. 740 mm	—	4x
BLISTER	●	N° 4	—	B.050.2.1.C150	740 ÷ 850 mm	1500 mm	4x
		N° 5	—	B.050.2.1.C165	850 ÷ 950 mm	1650 mm	4x
		N° 5	—	B.050.2.1.C200	950 ÷ 1100 mm	2000 mm	4x
		N° 6	—	B.050.2.1.C250	1100 ÷ 1350 mm	2500 mm	4x
		N° 7	—	B.050.2.1.C300	1350 ÷ 1600 mm	3000 mm	4x
		—	—	B.050.2.1.S150	740 ÷ 850 mm	1500 mm	4x
		—	—	B.050.2.1.S165	850 ÷ 950 mm	1650 mm	4x
		—	—	B.050.2.1.S200	950 ÷ 1100 mm	2000 mm	4x
—	—	B.050.2.1.S250	1100 ÷ 1350 mm	2500 mm	4x		
—	—	B.050.2.1.S300	1350 ÷ 1600 mm	3000 mm	4x		



ART. 1280
(8000.01280)
(8010.01280)



80 kg



Min. 740 mm



70 mm

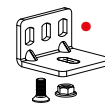
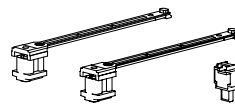
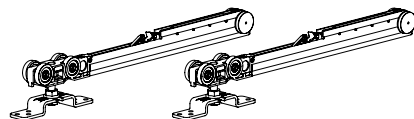


N.2 Fluid dampers
N.2 Fermi ammortizzati
Fluid



Ball bearings
Cuscinetti a sfera

			OLD CODE	NEW CODE		TRACK-BINARIO 	
KIT	●	N° 5	—	K.080.2.1.C	Min. 740 mm	—	4x
			—	K.080.2.1.S	Min. 740 mm	—	4x
BLISTER	●	N° 4	—	B.080.2.1.C150	740 ÷ 850 mm	1500 mm	4x
		N° 5	—	B.080.2.1.C165	850 ÷ 950 mm	1650 mm	4x
		N° 5	—	B.080.2.1.C200	950 ÷ 1100 mm	2000 mm	4x
		N° 6	—	B.080.2.1.C250	1100 ÷ 1350 mm	2500 mm	4x
		N° 7	—	B.080.2.1.C300	1350 ÷ 1600 mm	3000 mm	4x
		—	—	B.080.2.1.S150	740 ÷ 850 mm	1500 mm	4x
		—	—	B.080.2.1.S165	850 ÷ 950 mm	1650 mm	4x
		—	—	B.080.2.1.S200	950 ÷ 1100 mm	2000 mm	4x
—	—	B.080.2.1.S250	1100 ÷ 1350 mm	2500 mm	4x		
—	—	B.080.2.1.S300	1350 ÷ 1600 mm	3000 mm	4x		



ART. 1280
(8000.01280)
(8010.01280)



120 kg



Min. 740 mm



70 mm

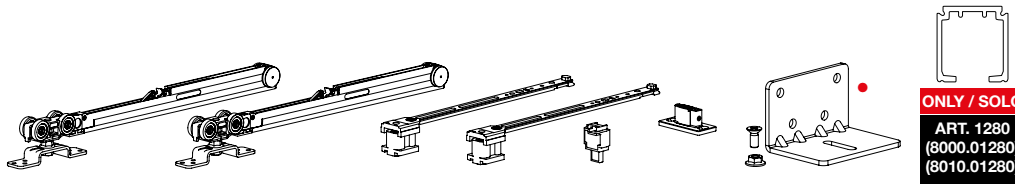


N.2 Fluid dampers
N.2 Fermi ammortizzati
Fluid



Ball bearings
Cuscinetti a sfera

			OLD CODE	NEW CODE		TRACK-BINARIO 	
KIT	●	N° 6	—	K.120.2.1.C	Min. 740 mm	—	4x
			—	K.120.2.1.S	Min. 740 mm	—	4x
BLISTER	●	N° 4	—	B.120.2.1.C150	740 ÷ 850 mm	1500 mm	4x
		N° 5	—	B.120.2.1.C165	850 ÷ 950 mm	1650 mm	4x
		N° 5	—	B.120.2.1.C200	950 ÷ 1100 mm	2000 mm	4x
		N° 6	—	B.120.2.1.C250	1100 ÷ 1350 mm	2500 mm	4x
		N° 7	—	B.120.2.1.C300	1350 ÷ 1600 mm	3000 mm	4x
		—	—	B.120.2.1.S150	740 ÷ 850 mm	1500 mm	4x
		—	—	B.120.2.1.S165	850 ÷ 950 mm	1650 mm	4x
		—	—	B.120.2.1.S200	950 ÷ 1100 mm	2000 mm	4x
—	—	B.120.2.1.S250	1100 ÷ 1350 mm	2500 mm	4x		
—	—	B.120.2.1.S300	1350 ÷ 1600 mm	3000 mm	4x		



		OLD CODE	NEW CODE		TRACK-BINARIO		
KIT	●	N° 6	—	K.160.11.1.C	Min. 865 mm	—	4x
		—	—	K.160.11.1.S	Min. 865 mm	—	4x
BLISTER	●	N° 5	—	B.160.11.1.C200	865 ÷ 1100 mm	2000 mm	4x
		N° 6	—	B.160.11.1.C250	1100 ÷ 1350 mm	2500 mm	4x
		N° 7	—	B.160.11.1.C300	1350 ÷ 1600 mm	3000 mm	4x
	—	—	—	B.160.11.1.S200	865 ÷ 1100 mm	2000 mm	4x
		—	—	B.160.11.1.S250	1100 ÷ 1350 mm	2500 mm	4x
		—	—	B.160.11.1.S300	1350 ÷ 1600 mm	3000 mm	4x



160 kg



Min. 865 mm



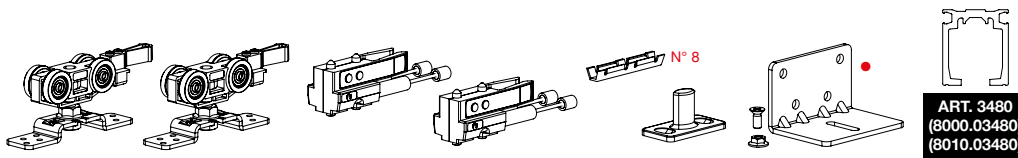
100 mm



N.2 Fluid dampers
N.2 Fermi ammortizzati
Fluid



Ball bearings
Cuscinetti a sfera



		OLD CODE	NEW CODE		TRACK-BINARIO		
KIT	●	N° 7	—	K.180.3.1.C	Min. 800 mm	—	5x
		—	—	K.180.3.1.S	Min. 800 mm	—	5x
BLISTER	●	N° 5	—	B.180.3.1.C200	800 ÷ 1100 mm	2000 mm	4x
		N° 6	—	B.180.3.1.C250	1100 ÷ 1350 mm	2500 mm	4x
		N° 7	—	B.180.3.1.C300	1350 ÷ 1600 mm	3000 mm	4x
	—	—	—	B.180.3.1.S200	800 ÷ 1100 mm	2000 mm	4x
		—	—	B.180.3.1.S250	1100 ÷ 1350 mm	2500 mm	4x
		—	—	B.180.3.1.S300	1350 ÷ 1600 mm	3000 mm	4x



180 kg



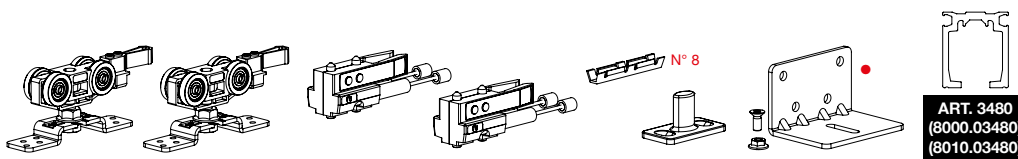
Min. 800 mm



N.2 Shock absorber
N.2 Fermi a pinza
ammortizzati



Ball bearings
Cuscinetti a sfera



		OLD CODE	NEW CODE		TRACK-BINARIO		
KIT	●	N° 7	—	K.250.3.1.C	Min. 800 mm	—	5x
		—	—	K.250.3.1.S	Min. 800 mm	—	5x
BLISTER	●	N° 5	—	B.250.3.1.C200	800 ÷ 1100 mm	2000 mm	4x
		N° 6	—	B.250.3.1.C250	1100 ÷ 1350 mm	2500 mm	4x
		N° 7	—	B.250.3.1.C300	1350 ÷ 1600 mm	3000 mm	4x
	—	—	—	B.250.3.1.S200	800 ÷ 1100 mm	2000 mm	4x
		—	—	B.250.3.1.S250	1100 ÷ 1350 mm	2500 mm	4x
		—	—	B.250.3.1.S300	1350 ÷ 1600 mm	3000 mm	4x



250 kg



Min. 800 mm



N.2 Shock absorber
N.2 Fermi a pinza
ammortizzati



Ball bearings
Cuscinetti a sfera

Classic

Slides with standard bracket
Scorrevoli con staffa normale

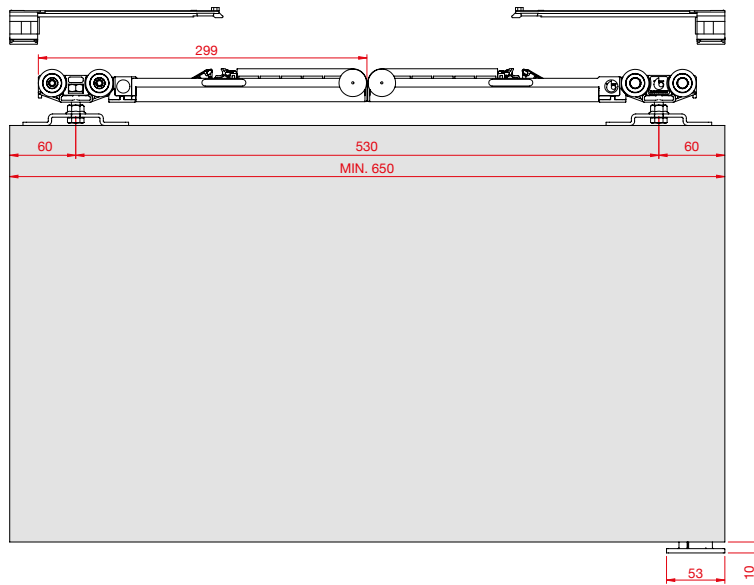
N.2 Fluid dampers - Min. 650 mm
N.2 Fermi ammortizzati Fluid - Min. 650 mm



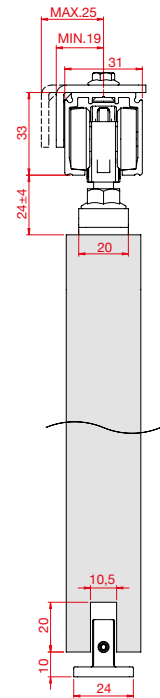
30 kg
80 kg



50 mm



30-80 kg



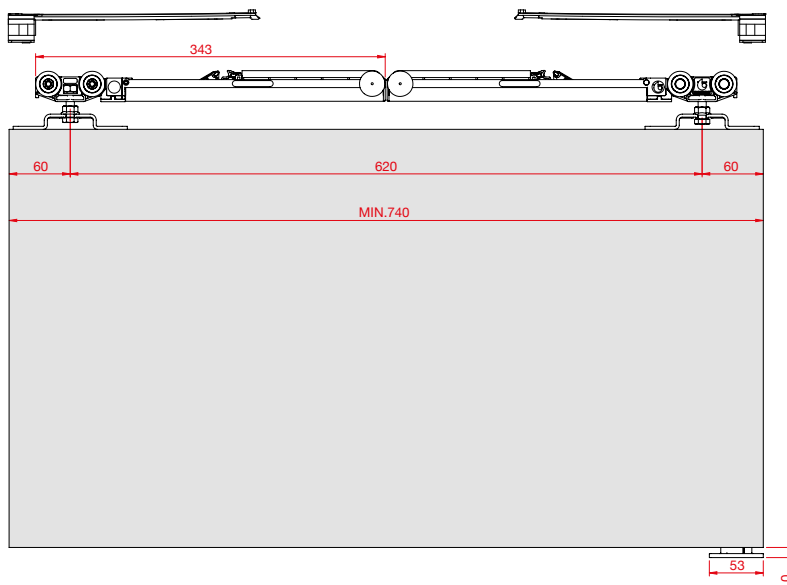
N.2 Fluid dampers - Min. 740 mm
N.2 Fermi ammortizzati Fluid - Min. 740 mm



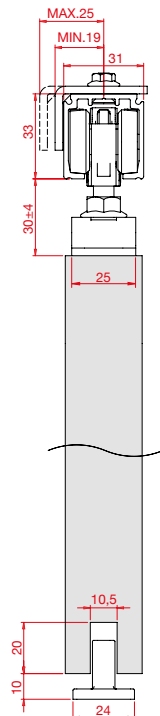
50 kg
80 kg
120 kg



70 mm



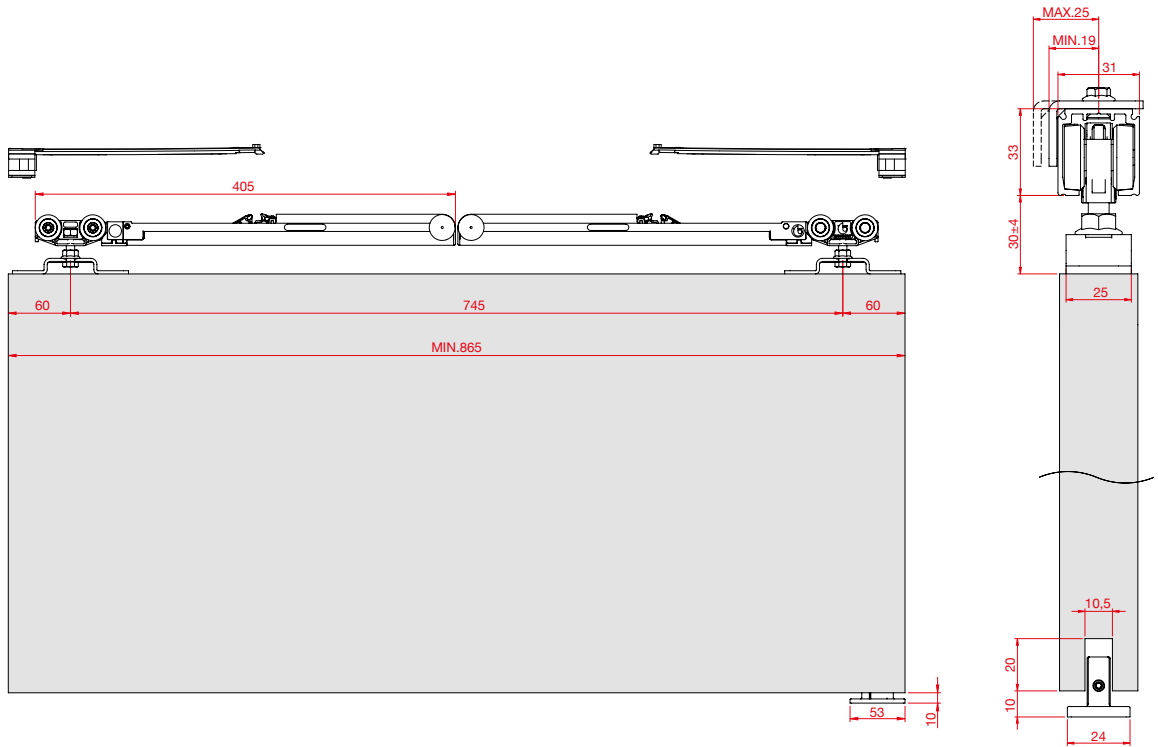
50-120 kg



N.2 Fluid dampers - Min. 865 mm
N.2 Fermi ammortizzati Fluid - Min. 865 mm

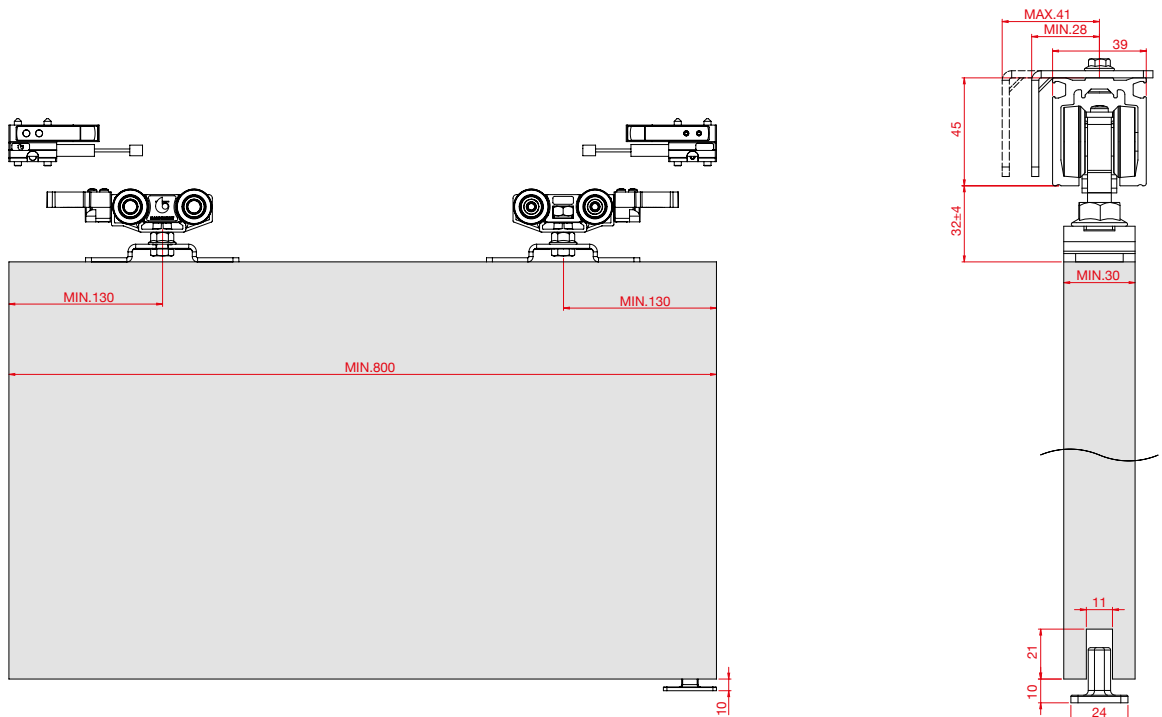

160 kg


100 mm



N.2 Shock absorber - Min. 800 mm
N.2 Fermi a pinza ammortizzati - Min. 800 mm


200 kg
250 kg





Terno Scorrevoli S.p.A.

**Via Ravenna, 4 - 20814 Varedo (MB) ITALY
Phone +39 0362 543001 - Fax +39 0362 582290**

**terno@ternoscorrevoli.com
www.ternoscorrevoli.com**