



Bonaiti
serrature dal 1936



Bonaiti
serrature dal 1936

Bonaiti Serrature SpA - 23801 Calolziocorte (LC) - via F.lli Bonacina, 20
Tel. 0341.631500 - Fax 0341.631440 - www.bonaiti.it - bonaiti@bonaiti.it

CATALOGO ed. 10-2017 *MKCATMAGE0*

MUCH MORE THAN LOCKS

ENG

MAGNETIC LOCKS

B twin®



- ✓ STRONG MAGNETIC EFFECT
- ✓ NEW HANDLE HUB
- ✓ COMPLIES WITH UNI EN 12209:05 NORM
- ✓ THE MAGNETIC LOCK DOESN'T REQUIRE REVERSIBILITY
- ✓ LATCH ON AXIS WITH HANDLE
- ✓ HIGH RESISTANT FRONT PLATE
- ✓ RELIABILITY
- ✓ ALSO AVAILABLE IN FIRE RESISTING VERSION REI 30
- ✓ INNOVATIVE LOCK CASE DESIGN

B klass®



- ✓ STRONG MAGNETIC EFFECT
- ✓ NEW HANDLE HUB
- ✓ COMPLIES WITH UNI EN 12209:05 NORM
- ✓ THE MAGNETIC LOCK DOESN'T REQUIRE REVERSIBILITY
- ✓ FRONT PLATE: 3 MODELS
- ✓ HIGH RESISTANT FRONT PLATE
- ✓ RELIABILITY: STAINLESS STEEL
- ✓ AVAILABLE IN FIRE RESISTING VERSION REI 30
- ✓ INNOVATIVE LOCK CASE DESIGN

B france®



- ✓ RENOVATED STRIKER FOR FRENCH HISTORICAL STANDARD
- ✓ SILENCE AND FLUIDITY DURING OPENING AND CLOSING CYCLE OF THE DOOR
- ✓ DESIGN: THE SIDE OF THE DOOR IS COMPLETELY SMOOTH
- ✓ CORROSION RESISTANCE
- ✓ BACKSET: 50 mm
- ✓ VERSION: CYLINDER

HISTORY	4
MATERIALS AND FINISHING	6
CERTIFICATIONS	8
MAGNETIC LOCKS PRESENTATION	10
B NO-HA MINI	14
B-TWIN	16
B-FORTY	18
B-SMART	20
B-ONE	22
B-KLASS	24
B-FIVE	26
B-LATCH	28
B-EVO	30
B-FRANCE	32
B-ALEX	34
STRIKING PLATES AND MAGNETIC POCKETS	36-39

To talk about locks for wooden doors means first stepping back in time as far as 1830 when Giuseppe & F.lli Bonaiti was founded, to the era when small Lecco area workshops produced the base metal used to create a series of components.









Our workshop gradually increased in size and alongside the fastenings and spring catches we also find bed warmers, chestnut roasting ovens, bed bases and the tubing used for headboards, until **1936** when we began to produce external application door locks.

At the beginning of the war we created a lock model fitted into the front of the door, an absolute novelty in those days, based on the British models patented at that time: hence the term "patent" which went on to become an everyday term to identify this type of lock.

The workshop of once upon a time, which over the years was gradually transformed into a production company with a staff of 500 to meet demand in the 1990s, gave rise to a spin-off business that became Bonaiti Serrature, handling all stages from design and production through to distribution in Italy and throughout the world of locks for internal wooden doors, with the aim of concentrating financial and human resources into the technological development of these products.

At the start of the 21st century production of magnetic locks began, representing the result of all the research and development in recent years.



- 1936 first lock 
- 1940 first patent lock 
- 1992 locks for sliding doors 
- 2002 "B-one" first magnetic lock 
- 2011 "B no-ha mini" without handle 
- 2013 hinges 
- 2015 "G500" for sliding doors 
- 2016 handles 
- 2018 to be continued...

MATERIALS

Our products are produced with noble materials, renowned for their functional and aesthetic qualities.



STAINLESS STEEL

endurance, solidity, nobility and finishing make stainless steel an essential material in quality mechanical engineering.



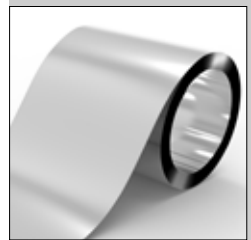
STEEL

used for its resistance and tenacity globally renowned characteristics.



BRASS

its color, its heat and the facility of transformation, make it an ideal material for the creation of our products.



ALUMINIUM

excellent for its lightness and for the aesthetic quality of the finishing.

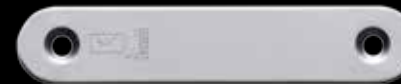
“REGULAR” line



polished brass



polished chrome



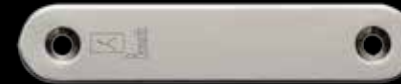
matt chrome



satin chrome



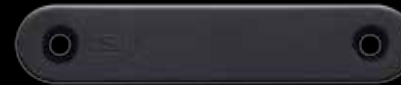
roto nickel



polished nickel



satin nickel



varnished matt black



on demand

“STAINLESS STEEL” line



satin

“SPECIAL” line



roto brass



varnished silver



varnished grey



varnished white



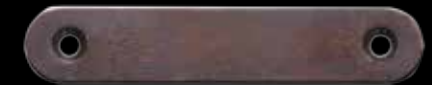
polished antique bronze*



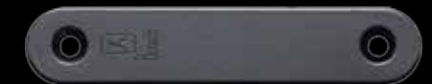
matt antique bronze*



varnished bronze



roto bronze



varnished polished black

Finishing change depending on material

* Handmade finishing, it can be subject to tones alterations

The complete list of finishing is available on our website: www.bonaiti.it/en/our-finishing

CERTIFICATIONS

The co. with an optics of permanent quality on its products, has obtained a Quality System certification from an international agency, ICIM, that involves all firm's activities, from design to production and to after sales service activities in compliance with norm UNI EN ISO 9001:2008. When the "B-one" model first went into production an international jury awarded it the TOP 100 FRAMES diploma of excellence as example of research and innovation in the door architecture. The "B-one" has also been included in the 2002-2003-2004 ADI DESIGN INDEX yearbooks, as a candidate for the "XX COMPASSO D'ORO AWARD".



EUROPEAN NORM EN 12209

All our locks are tested in accordance to the norm EN 12209. Such norm defines their use (for private and public installation), the frequency of use from 50.000 to 200.000 cycles, the corrosion, high temperature and fire resistance, the safety against the housebraking and the tampering. Moreover the norm schematises the type and the technical and main features that define the fundamental performances of the lock.

UNI EN 12209:05

3 | X | 8 | 0 | 0 | G | 2 | H | A | 2 | 0 |

example of B-KLASS classification code

CATEGORY	POSITION	SCALE	CLASS	DETAILS / EXPLANATION
Employ category	1°	1 - 3	1	residential interior doors
			2	offices' interior doors
			3	public buildings' doors
Durability and load on latch	2°	A - X	A	50.000 cycles and no load on latch
			B	100.000 cycles and no load on latch
			C	200.000 cycles and no load on latch
			F	50.000 cycles and 10N load on latch
			G	100.000 cycles and 10N load on latch
			H	200.000 cycles and 10N load on latch
			L	100.000 cycles and 25N load on latch
			M	200.000 cycles and 25N load on latch
			R	100.000 cycles and 50N load on latch
			S	200.000 test cycles and 50N load on latch
			W	100.000 test cycles and 120N load on latch
X	200.000 test cycles and 120N load on latch			
Door mass and closure power	3°	1 - 9	1	door mass <= 100 kg; closure power max, 50 N
			2	door mass <= 200 kg; closure power <= 50 N
			3	door mass > 200 kg; closure power <= 50 N
			4	door mass <= 100 kg; closure power <= 25 N
			5	door mass <= 200 kg; closure power <= 25 N
			6	door mass > 200 kg; closure power <= 25 N
			7	door mass <= 100 kg; closure power <= 15 N
			8	door mass <= 200 kg; closure power <= 15 N
			9	door mass > 200 kg; closure power <= 15 N
Suitability for use on fire rated doors	4°	0 - 1	0	not suitable for fire rated/smoke protection doors
			1	suitable for fire rated/smoke protection doors
Security for people	5°	0	0	no need to provide security to people
Corrosion and high temperature resistance	6°	0 - G	0	no corrosion resistance and no temperature requirement
			A	24 h corrosion resistance, no temperature requirement
			B	48 h corrosion resistance, no temperature requirement
			C	96 h corrosion resistance, no temperature requirement
			D	240 h corrosion resistance, no temperature requirement
			E	48 h corrosion resistance, temperature from -20° C till
			F	96 h corrosion resistance, temperature from -20° C till
G	240 h corrosion resistance, temperature from -20° C till			
Property security and drilling resistance	7°	1 - 7	1	basic property security and no drilling resistance
			7	high level property security and drilling resistance
Application field of the door	8°	A - R	A	to embed without application limits
			R	to apply, swing doors, internal opening, internal lock
Type of key and closure drive	9°	0 - H	0	not applicable
			H	security latch lock without key, automatic block
Type of handle device drive	10°	1 - 4	1	operating with knob or handle having fixing spring
			2	lock operating with handle without fixing spring
			3	lock operating with handle without fixing spring for uses exposed to risks
			4	lock operating with handle without fixing spring for uses more exposed to risks from the producer
Key identification	11°	0 - H	0	no requirement
			H	latch having at least 8 key differs and possibility to have more



A REVOLUTIONARY IDEA

Research began in 2001 on the possible interior door lock applications of magnetic fields induced by fixed magnets has greatly developed in recent years, now offering application options that would be unthinkable with traditional lock systems.

SILENCE AND FLUIDITY

The abolition of internal and external lock kinetics, based around a latch/deadbolt activated by mechanical components, led to a very important first result: silence and fluidity during door opening and closure.

REDUCED DIMENSIONS

The next objective was to considerably scale down lock and related striker sizes, as their mechanical dynamics are not necessary with magnetic fields.

DESIGNER FITTINGS

All of this has allowed work on the product design without the need for ugly visible parts on the front of the lock, making the lock system an integral fitting element in harmony with the door.

INNOVATIVE SOLUTIONS

The magnetic lock system has allowed during time the development of personalized closure models suitable to satisfy a wide range of requirements, until the manufacturing of models capable to function without handle.



name
B-FORTY
finishing
matt chrome



name
B-ONE
finishing
matt chrome



name
GIS8
finishing
matt chrome



name
G992
finishing
matt chrome

ADVANTAGES

- silence and fluidity during opening and closing cycle of the door
- design: the side of the door is completely smooth
- corrosion resistance
- safety for children: no risks of crushing
- reliability: only a few moving elements
- no maintenance required
- greater compatibility with handles



THE RANGE

Existing models for new doors and for renovated doors:

- B no-ha mini** The first magnetic lock without any moving parts during the opening/closing cycle of the door. Ideal combination between revolutionary project and the magnetic power Bonaiti : "no door, no handle".

- B-twin** The small swing latch is positioned on the same axis of the handle to optimize its aesthetics. A lock that retains the original features of the concept of magnetism: silence and flexibility. The short striker minimizes the aesthetic impact on the jamb.

- B-forty** The first magnetic lock with latch positioned at the center of the front plate permitting the reversibility of the door. A more silent and fluid mechanism which guarantees the successful outcome of the most flexible tests of duration using innovative materials.

- B-smart** The magnetic lock with latch and bolt, both positioned at the center of the front plate. A silent and fluid mechanism which combines the modernity of the magnetism with the traditional separated bolt.

- B-one** The original magnetic lock for excellence that obtained a large approval from the public thanks to its silent and innovative character of its design.

- B-klass** On the occasion of the 15th anniversary of the creation of the first Bonaiti magnetic lock, the B-one, a new range of magnetic locks is created according to the DIN standard. The 4 models proposed - a reduced passage version, only latch version, one or two key-turn version - are a unique choice on the market. Possibility to have different front plate dimensions and backset options. The first magnetic lock with stainless steel front plate. The first magnetic lock tested according to UNI EN 12209.

- B-five** The magnetic lock to assemble on narrow steel and aluminum frames: even more contemporary aesthetic, even more comfort. Even professional spaces can benefit of its silent functioning.

- B-latch** The American standard closure made by Bonaiti in a magnetic version. Ideal minimalist solution, it's the smallest magnetic lock for doors on the market nowadays. It is available for American handles with 51° rotation and also for European handles having 30° rotation, in both passage, privacy and panic versions.

- B-evo** Magnetic and modern version of our "Patent", especially created for renovated doors.

- B-france** The magnetic lock for French market, with backset 40 or 50 mm; ideal for renovated doors and for new doors.

- B-alex** The first magnetic lock for glass doors having the same silent operation and the same design of the famous "B-one". It is provided with regulation for windows 8/10mm thickness and with dedicated strikers for wood and aluminum structures. Also available for double sash doors.



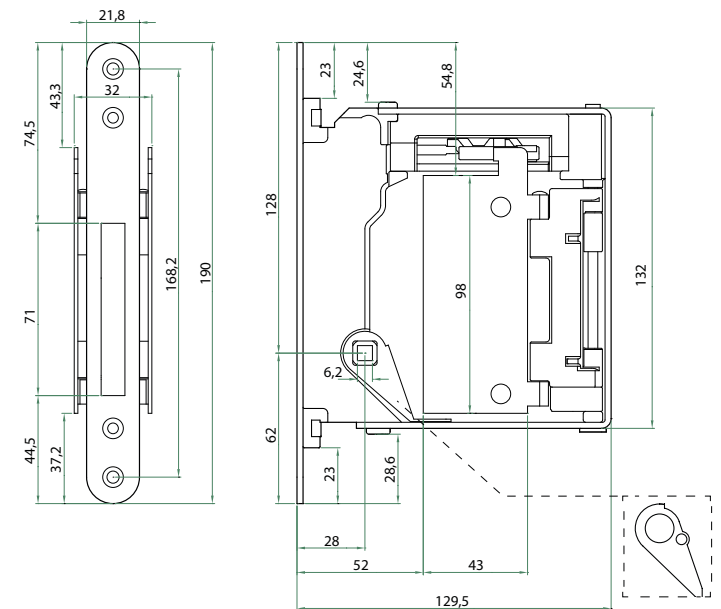
B no-ha mini WITHOUT HANDLE

The first magnetic lock without any moving parts during the opening/closing cycle of the door.

Ideal combination between revolutionary project and the magnetic power Bonaiti: "no door, no handle".

ADVANTAGES

- silence and fluidity during opening and closing cycle of the door
- design: the side of the door is completely smooth
- corrosion resistance
- safety for children: no risks of crushing
- reliability: only a few moving elements
- no maintenance required



Striking plates		Accessories					
G992	GR95	SINGLE	DOUBLE	COVER MDF	COVER inox	PH1	TOOL

Full range of 'Striking plates and Pockets' on p. 36-39 or directly on our website: www.bonaiti.it/en/products/Magnetic-locks

Backset privacy: 28 mm	Hub follower privacy: 6 mm
Versions privacy passage	Front plate height: 190 mm width: 22 mm thickness: 2 mm
Material brass	Interasse /
Finishing polished chrome satin chrome matt chrome polished varnished brass polished nickel polished antique bronze varnished bronze	On demand accessories: -cover -tool -PH1

finishing
satin chrome
handle
COVER INOX + PH1

B-twin

The small swing latch is positioned on the same axis of the handle to optimize its aesthetics. A lock that retains the original features of the concept of magnetism: silence and flexibility. The short striker minimizes the aesthetic impact on the jamb.

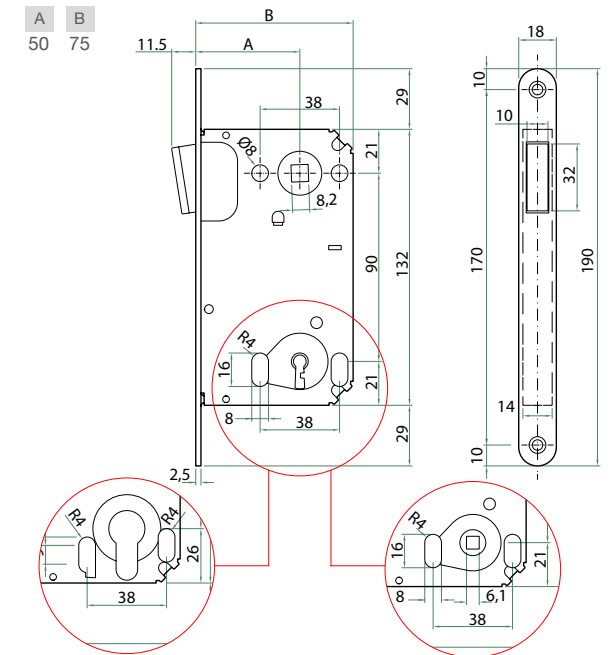
ADVANTAGES

- homogeneous design
- flexible operation
- silence and fluidity during opening and closing cycle of the door
- design: the side of the door is completely smooth
- corrosion resistance
- safety for children: no risks of crushing
- reliability: only a few moving elements
- no maintenance required
- completely compatible with the range of Bonaiti handles

Striking plates



Full range of 'Striking plates and Pockets' on p. 36-39 or directly on our website: www.bonaiti.it/en/products/Magnetic-locks



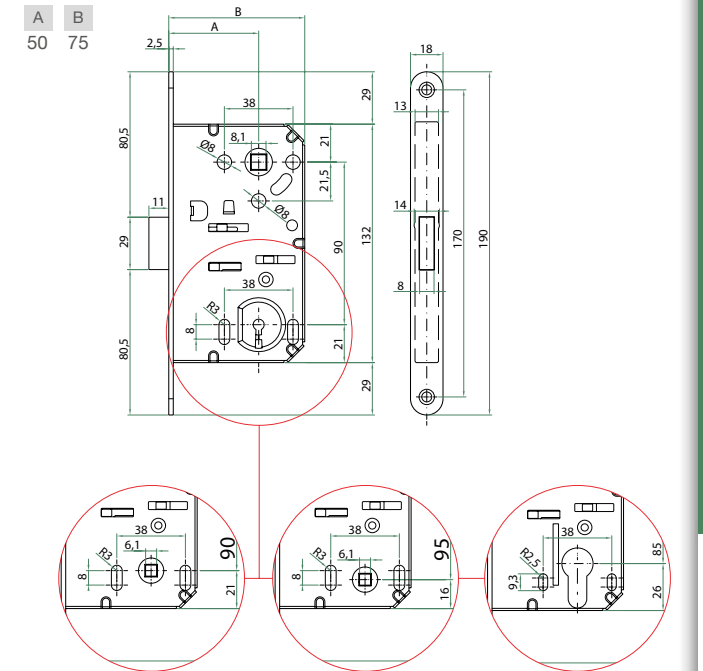
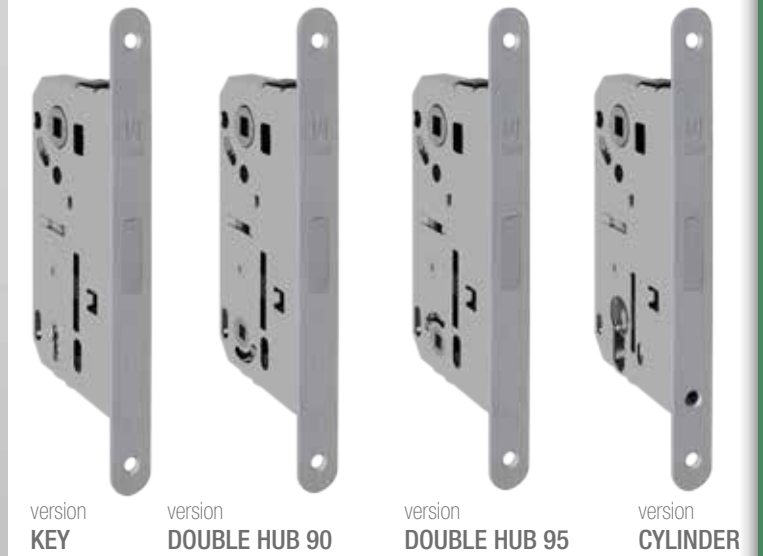
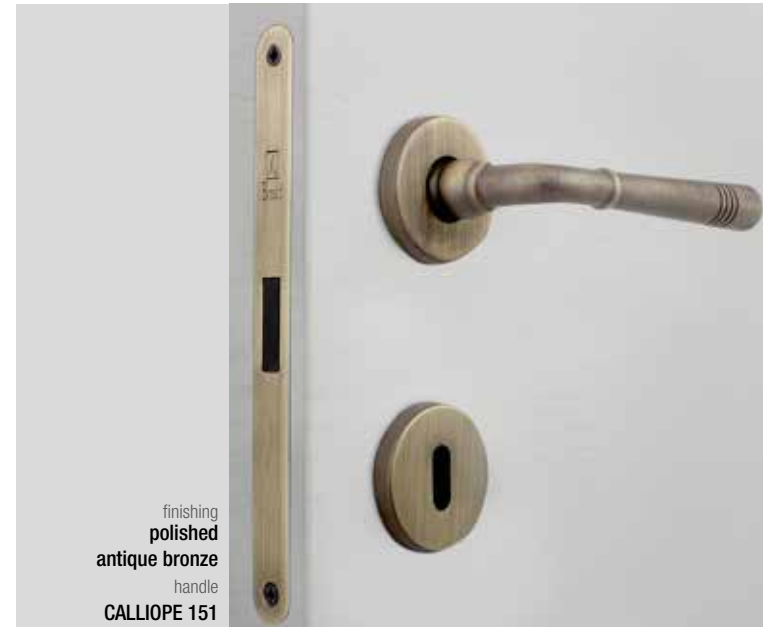
Backset (A) 50 mm	Double follower handle: 8 mm WC: 6 mm
Versions CB (key) WC (hub) PZ (cylinder)	Front plate height: 190 mm width: 18 mm thickness: 2.5 mm
Material steel	Axis key: 90 mm hub: 90 mm cylinder: 85 mm
Finishing polished chrome satin chrome matt chrome varnished matt black polished nickel varnished polished brass roto bronze matt antique bronze polished antique bronze varnished bronze	On demand height front plate: 196 mm customized finishing

B-forty

The first magnetic lock with latch positioned at the center of the front plate permitting the reversibility of the door.
A more silent and fluid mechanism which guarantees the successful outcome of the most flexible tests of duration using innovative materials.

ADVANTAGES

- perfect symmetry
- total reversibility
- no constraint
- compatible with steel and aluminum frames
- silence and fluidity during opening and closing cycle of the door
- design: the side of the door is completely smooth
- corrosion resistance
- safety for children: no risks of crushing
- reliability: only a few moving elements
- no maintenance required
- completely compatible with the range of Bonaiti handles



Striking plates											Pocket
GF45	GIR8	GS90	G994	GAL1	GF98	GI97	GI98	GIS8	GK97	G183	761
strikers standard											magnetic pocket for striking plate G183

Backset (A) 50 mm	Double follower handle: 8 mm WC: 6 - 8 mm
Versions CB (key) WC (double hub 90 mm) WC (double hub 90 mm) PZ (cylinder)	Front plate height: 190 mm width: 18 mm thickness: 2.5 mm
Material steel	Axis key: 90 mm hub: 90 - 95 mm cylinder: 85 mm
Finishing polished chrome satin chrome matt chrome varnished polished brass varnished matt black polished matt nickel roto bronze polished antique bronze varnished bronze	On demand height front plate: 196 mm width front plate: 22 mm customized finishing

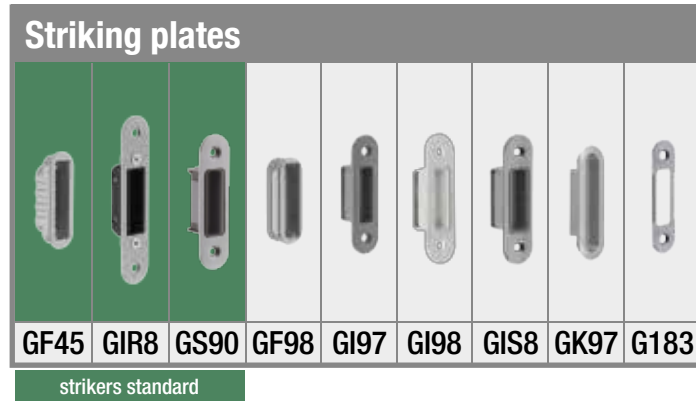
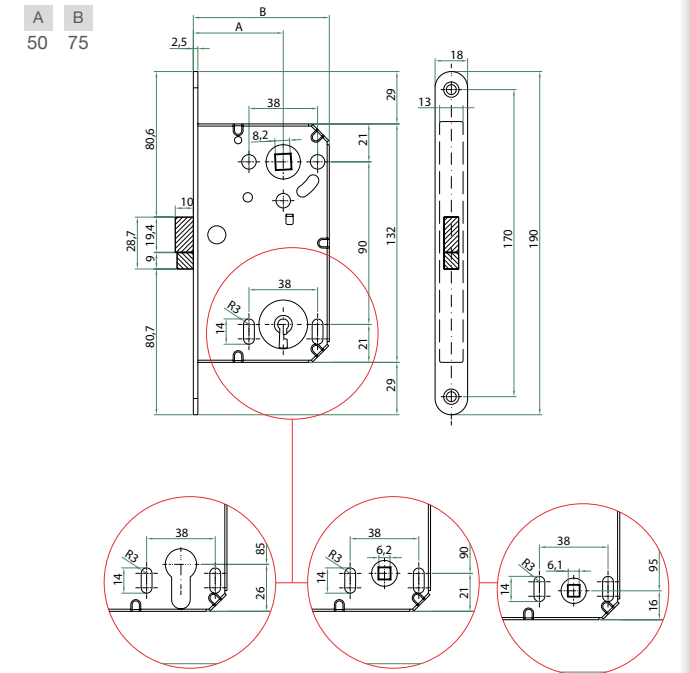
Full range of 'Striking plates and Pockets' on p. 36-39 or directly on our website: www.bonaiti.it/en/products/Magnetic-locks

B-smart

The magnetic lock with latch and bolt, both positioned at the center of the front plate.
A silent and fluid mechanism which combines the modernity of the magnetism with the traditional separated bolt.

ADVANTAGES

- perfect symmetry
- total reversibility
- no constraint of installation
- compatible with steel and aluminum frames
- silence and fluidity during opening and closing cycle of the door
- design: the side of the door is completely smooth
- corrosion resistance
- safety for children: no risks of crushing
- reliability: only a few moving elements
- no maintenance required
- completely compatible with the range of Bonaiti handles



magnetic pocket for striking plate G183

<p>Backset (A) 50 mm</p>	<p>Double follower handle: 8 mm WC: 6 mm</p>
<p>Versions CB (key) WC (double hub 90 mm) WC (double hub 95 mm) PZ (cylinder)</p>	<p>Front plate height: 190 mm width: 18 mm thickness: 2.5 mm</p>
<p>Material steel</p>	<p>Axis key: 90 mm hub: 90 - 95 mm cylinder: 90 mm</p>
<p>Finishing polished chrome satin chrome matt chrome varnished matt black polished nickel satin nickel varnished polished brass polished antique bronze varnished bronze varnished silver 7048</p>	<p>On demand height front plate: 196 mm width front plate: 22 mm customized finishing</p>

Full range of 'Striking plates and Pockets' on p. 36-39 or directly on our website: www.bonaiti.it/en/products/Magnetic-locks

B-class

On the occasion of the 15th anniversary of the creation of the first Bonaiti magnetic lock, the B-one, a new range of magnetic locks is created according to the DIN standard. The 4 models proposed - a reduced passage version, only latch version, one or two key-turn version - are a unique choice on the market. Possibility to have different front plate dimensions and backset options. The first magnetic lock with stainless steel front plate. The first magnetic lock tested according to UNI EN 12209.

UNI EN 12209:05

|3|x|8|0|0|G|2|H|A|2|0| example of B-KLASS classification code

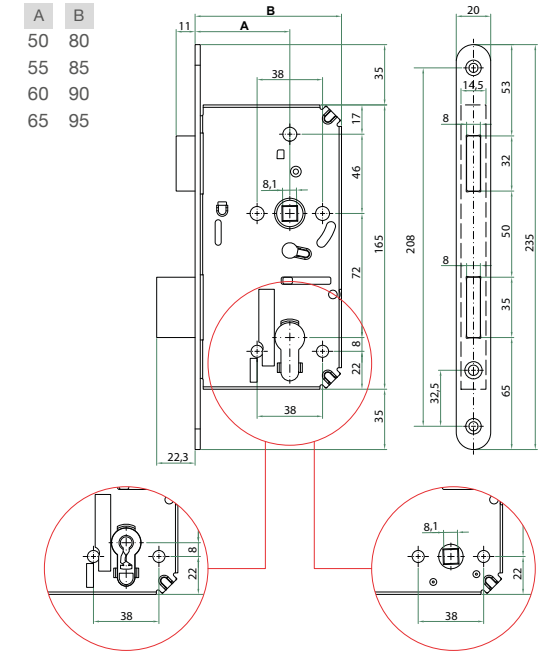
ADVANTAGES

- silence and fluidity during opening and closing cycle of the door
- design: the side of the door is completely smooth
- corrosion resistance
- safety for children: no risks of crushing
- reliability: only a few moving elements
- no maintenance required
- the widest choice of finishing on the market
- front plate width: 18, 20 and 24 mm
- backset: 50, 55, 60 and 65 mm
- completely compatible with Bonaiti and Hafi handles

Striking plates



Full range of 'Striking plates and Pockets' on p. 36-39 or directly on our website: www.bonaiti.it/en/products/Magnetic-locks



<p>Backset (A) 50 - 55 - 60 - 65 mm</p>	<p>Double follower handle: 8 mm WC: 8 mm</p>
<p>Versions passage only latch one key turn two key turns</p>	<p>Front plate height: 235 mm height Passage: 165 mm width: 18 - 20 - 24 mm thickness: 3 mm</p>
<p>Material stainless steel or steel</p>	<p>Axis key: 72 mm hub: 78 mm cylinder: 72 mm</p>
<p>Finishing polished chrome satin chrome varnished matt black varnished polished brass varnished silver 7048 polished stainless steel satin stainless steel</p>	<p>On demand key holder handle follower WC: 6 mm</p>

B-five

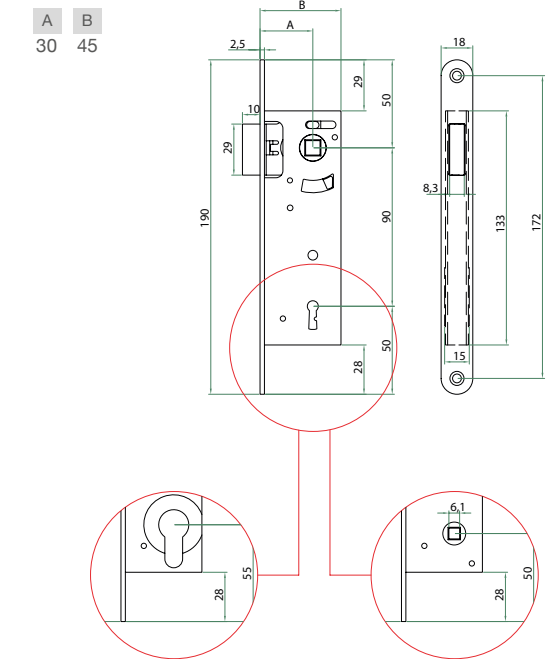
The first, compact magnetic lock created to answer the needs of contemporary architecture. The magnetic lock to assemble on narrow steel and aluminum frames. Even professional spaces can benefit of its silent functioning.

ADVANTAGES

- special range for doors with metal jamb
- silence and fluidity during opening and closing cycle of the door
- design: the side of the door is completely smooth
- corrosion resistance
- safety for children: no risks of crushing
- reliability: only a few moving elements
- no maintenance required
- completely compatible with Bonaiti handles



Full range of 'Striking plates and Pockets' on p. 36-39 or directly on our website: www.bonaiti.it/en/products/Magnetic-locks



Backset (A) 30 mm	Double follower handle: 8 mm WC: 6 mm
Versions CB (key) WC (double hub) PZ (cylinder)	Front plate height: 190 mm width: 18 mm thickness: 2.5 mm
Material steel	Axis key: 90 mm hub: 90 mm cylinder: 85 mm
Finishing polished chrome satin chrome matt chrome polished nickel varnished polished brass	On demand height front plate: 196 mm width front plate: 22 mm customized finishing

B-latch

The American standard closure made by Bonaiti in a magnetic version. Ideal minimalist solution, it's the smallest magnetic lock for doors on the market nowadays.

It is available for American handles with 51° rotation and also for European handles having 30° rotation, in both passage, privacy and panic versions.

The product is supplied with magnetic striker with plate in matching finishing and with a black magnetic pocket.

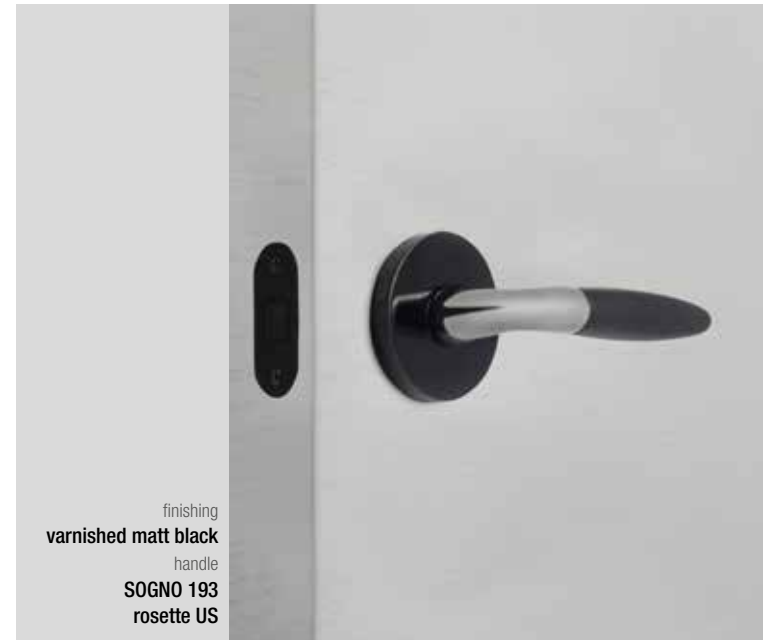
ADVANTAGES

- silence and fluidity during opening and closing cycle of the door
- design: the side of the door is completely smooth
- corrosion resistance
- safety for children: no risks of crushing
- reliability: only a few moving elements
- no maintenance required

Striking plates



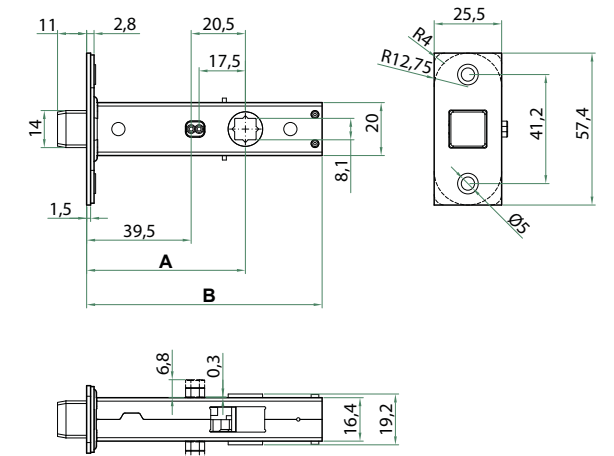
Full range of 'Striking plates and Pockets' on p. 36-39 or directly on our website: www.bonaiti.it/en/products/Magnetic-locks



version
PRIVACY

version
PASSAGE

A B
60 89



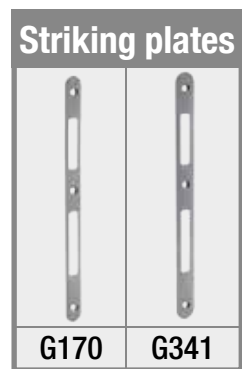
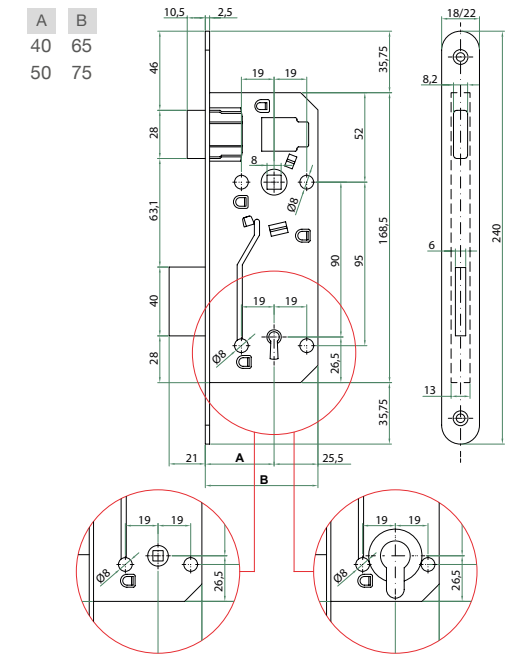
<p>Backset (A) B-LATCH 12: 60 mm B-LATCH 09: 60 - 70 mm</p>	<p>Handle follower 8 mm</p>
<p>Versions privacy passage 30° (B-LATCH 12) 51° (B-LATCH 09)</p>	<p>Front plate height: 57.4 mm width: 25.5 mm thickness: 3 mm</p>
<p>Material steel</p>	<p>Axis B-LATCH 12 passage: 19 mm privacy: 20.5 mm B-LATCH 09 passage: 19 mm privacy: 17.5 - 20.5 mm</p>
<p>Finishing polished chrome satin chrome varnished chrome varnished polished brass varnished matt black roto bronze polished antique bronze</p>	<p>On demand round edge square edge half-round edge</p>

B-evo

Magnetic and modern version of our "Patent", especially created for renovated doors.

ADVANTAGES

- closure security
- silence and fluidity during opening and closing cycle of the door
- design: the side of the door is completely smooth
- corrosion resistance
- safety for children: no risks of crushing
- reliability: only a few moving elements
- no maintenance required
- completely compatible with Bonaiti handles



707: pocket for bolt
760: pocket for latch

Full range of 'Striking plates and Pockets' on p. 36-39 or directly on our website: www.bonaiti.it/en/products/Magnetic-locks

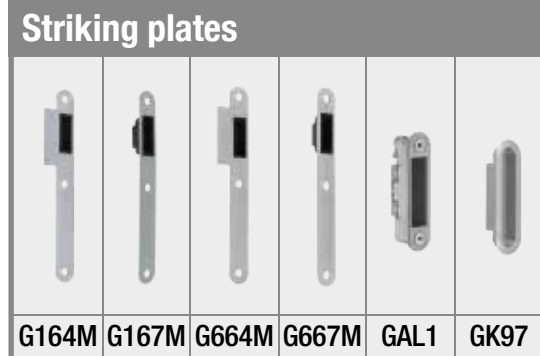
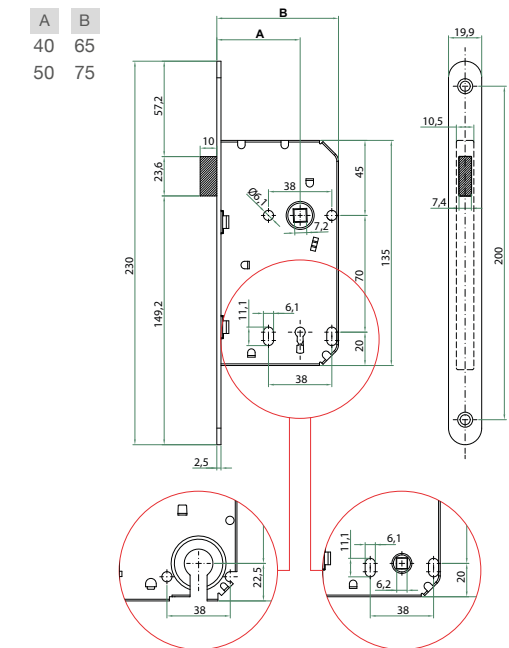
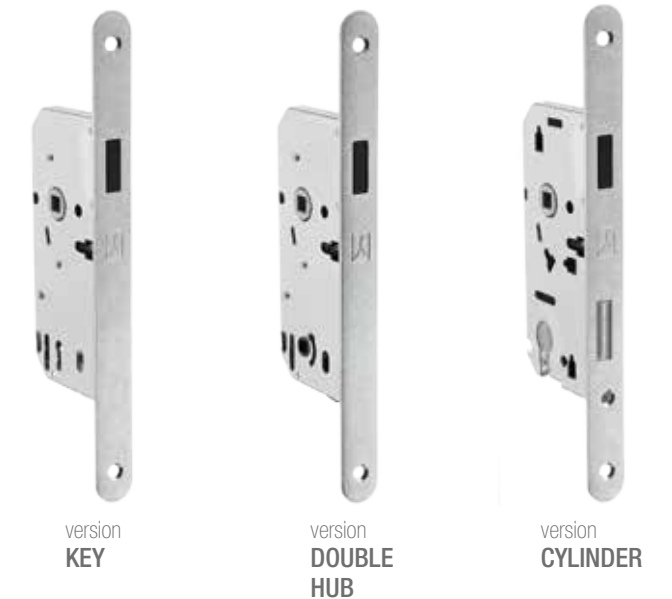
Backset (A) 40 - 50 mm	Double follower handle: 8 - 9 mm WC: 6 - 8 mm
Versions CB (key) WC (double hub) PZ (cylinder)	Front plate height: 240 mm width: 22 mm thickness: 2.5 mm
Material steel	Axis key: 90 mm hub: 90 mm cylinder: 90 mm
Finishing polished chrome satin chrome matt chrome varnished polished brass polished nickel roto bronzed varnished bronze varnished silver 7048	On demand width front plate: 18 mm customized finishing

B-france

The magnetic lock for French market, with backset 40 or 50 mm; ideal for renovated doors and for new doors.

ADVANTAGES

- new version of striker for historical French standard
- silence and fluidity during opening and closing cycle of the door
- design: the side of the door is completely smooth
- corrosion resistance
- safety for children: no risks of crushing
- reliability: only a few moving elements
- no maintenance required
- hub: 7 mm, backset: 40 and 50 mm, axis: 70 mm
- completely compatible with Bonaiti handles



Full range of 'Striking plates and Pockets' on p. 36-39 or directly on our website: www.bonaiti.it/en/products/Magnetic-locks

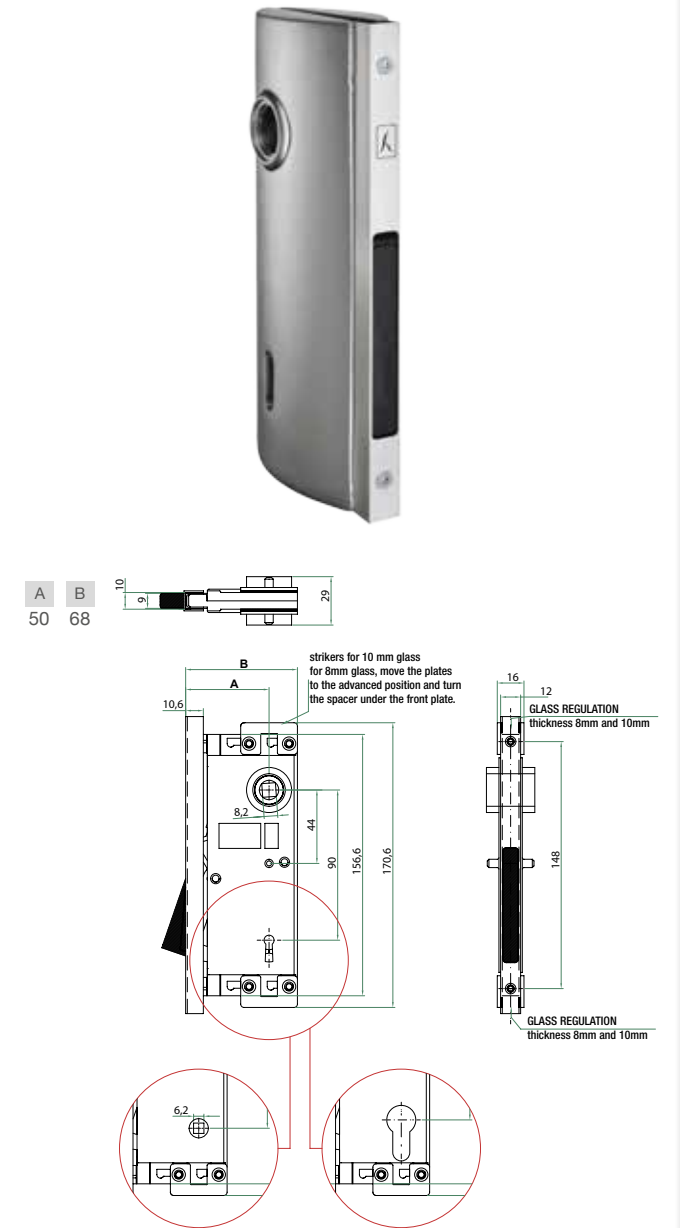
Backset (A) 40 - 50 mm	Double follower handle: 7 mm WC: 6 mm
Versions CB (key) WC /double hub) PZ (cylinder - backset: 50 mm)	Front plate height: 230 mm width: 20 mm thickness: 2.5 mm
Material steel	Axis key: 70 mm hub: 70 mm cylinder: 70 mm
Finishing varnished matt black varnished polished brass polished nickel varnished bronze varnished silver 7048 satin zinc	On demand customized finishing

B-alex

The first magnetic lock for glass doors having the same silent operation and the same design of the famous "B-one". It is provided with regulation for windows 8/10 mm thickness and with dedicated strikers for wood and aluminum structures. Also available for double sash doors.

ADVANTAGES

- wide range for single and double sash doors
- french and italian standard
- dedicated striker
- silence and fluidity during opening and closing cycle of the door
- design: the side of the door is completely smooth
- corrosion resistance
- safety for children: no risks of crushing
- reliability: only a few moving elements
- no maintenance required
- completely compatible with Bonaiti handles



G990: striker for double sash glass version

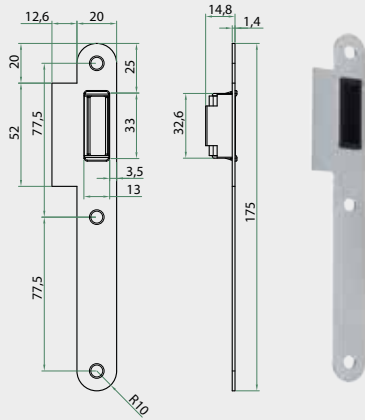
G992-G995: strikers on frame



Full range of 'Striking plates and Pockets' on p. 36-39 or directly on our website: www.bonaiti.it/en/products/Magnetic-locks

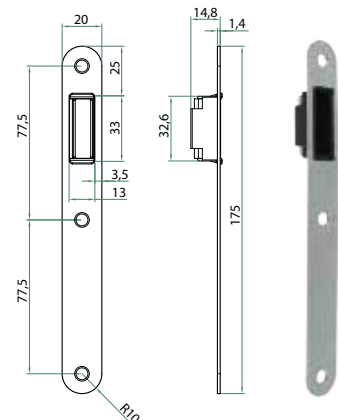
<p>Backset (A) 50 mm</p>	<p>Double follower handle: 8 mm WC: 6 mm</p>
<p>Versions CB (key) WC (double hub) PZ (cylinder)</p>	<p>Front plate height: 180 mm lock thickness: 16 mm glass thickness: 8 - 10 mm</p>
<p>Material brass</p>	<p>Axis key: 90 mm hub: 90 mm cylinder: 85 mm</p>
<p>Finishing polished chrome satin nickel chrome perle</p>	<p>On demand kit double sash kit with hinges customized finishing</p>

G164M



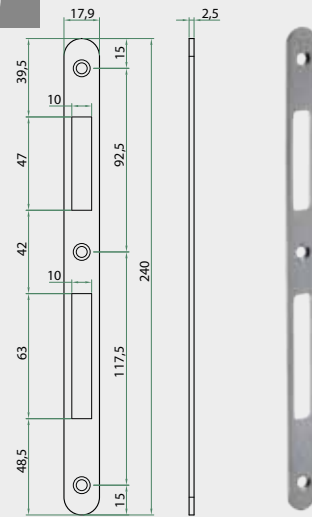
- dimensions: 175 x 20 x 1.4 mm
- striker with stud with high hole
- for: B-france

G167M



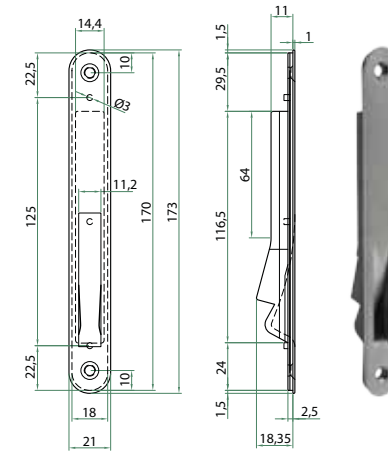
- dimensions: 175 x 20 x 1.4 mm
- striker without stud with high hole
- for: B-france

G170



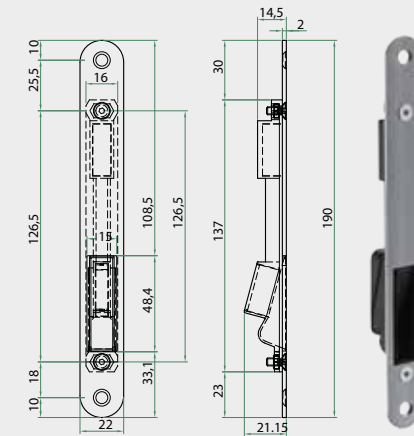
- dimensions: 240 x 18 x 2.5 mm
- for: B-evo

G991



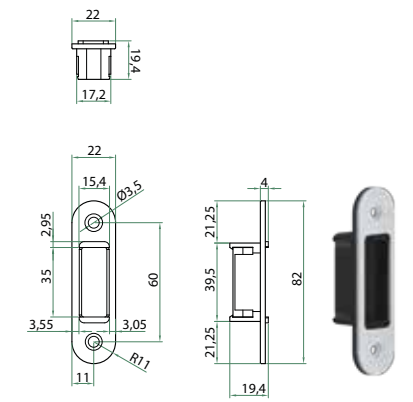
- dimensions: 170 x 18 x 18.35 mm
- not adjustable striker
- for: B-one

G992



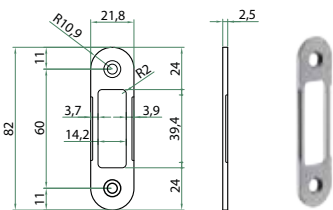
- dimensions: 190 x 22 x 21.15 mm
- adjustable striker
- for: B-no ha mini, B-one and B-alex

G994



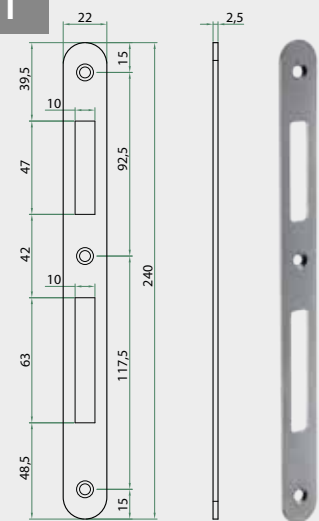
- dimensions: 82 x 22 x 4 mm
- for: B-forty

G183



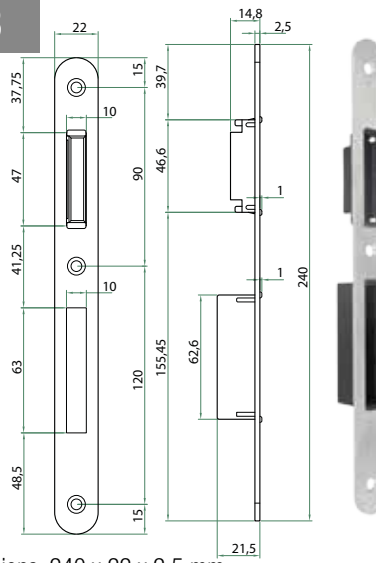
- dimensions: 82 x 22 x 2.5 mm
- for: B-smart and B-forty

G341



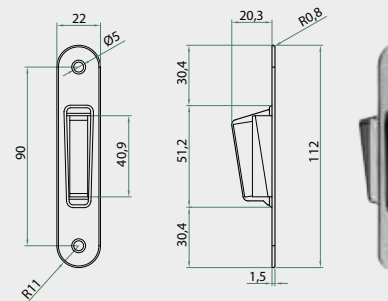
- dimensions: 240 x 22 x 2.5 mm
- for: B-evo

G343



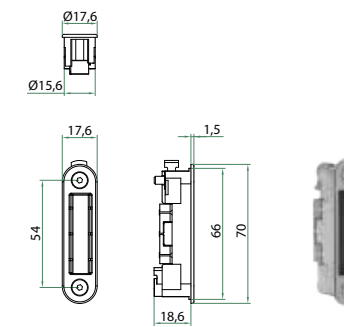
- dimensions: 240 x 22 x 2.5 mm
- for: B-klass

G995



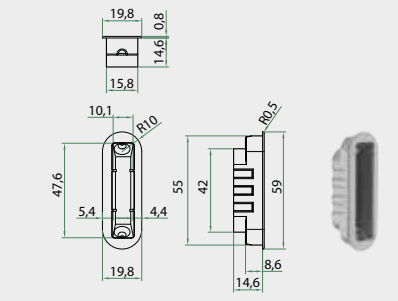
- dimensions: 112 x 22 x 1.5 mm
- for: B-alex

GAL1



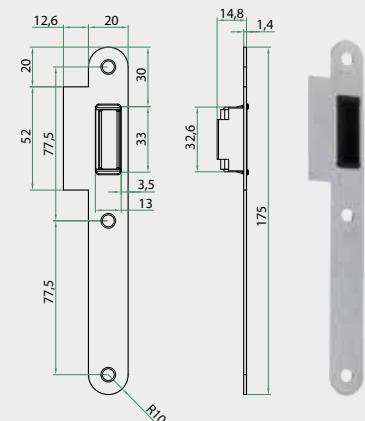
- dimensions: 66 x 15.6 x 18.6 mm
- striker for aluminum frames
- for: B-smart, B-forty, B-five and B-france

GF45



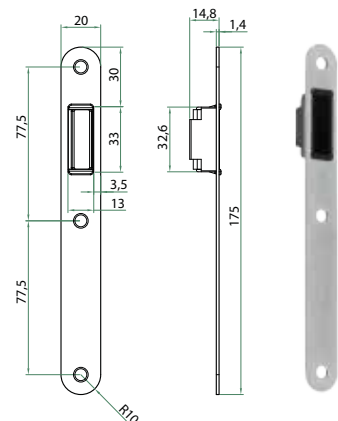
- dimensions: 55 x 16 x 14.6 mm
- striker 45° holes
- for: B-smart and B-forty

G664M



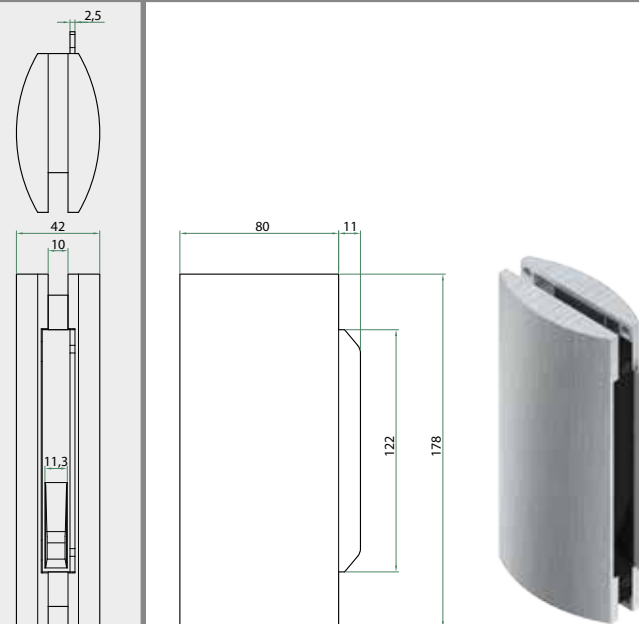
- dimensions: 175 x 20 x 1.4 mm
- striker with stud with low hole
- for: B-france

G667M



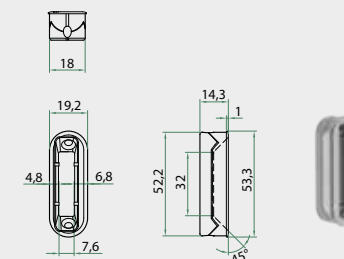
- dimensions: 175 x 20 x 1.4 mm
- striker without stud with low hole
- for: B-france

G990



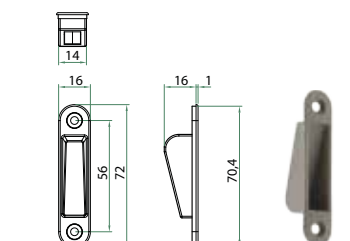
- dimensions: 178 x 80 x 10 mm
- for: B-alex

GF98



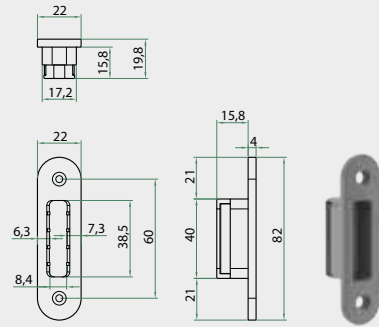
- dimensions: 52.2 x 18 x 13.5 mm
- striker 45° holes
- for: B-smart and B-forty

GH95



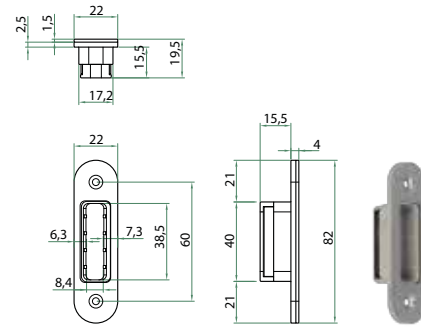
- dimensions: 70.4 x 14 x 16 mm
- for: B-one

GI97



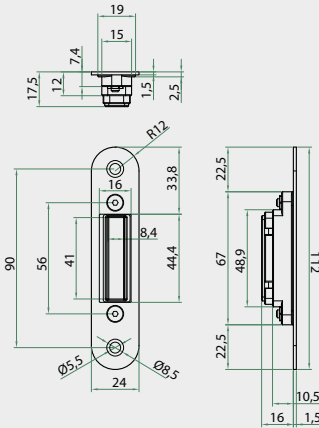
– dimensions: 82 x 22 x 4 mm
– for: B-smart, B-forty and B-five

GI98



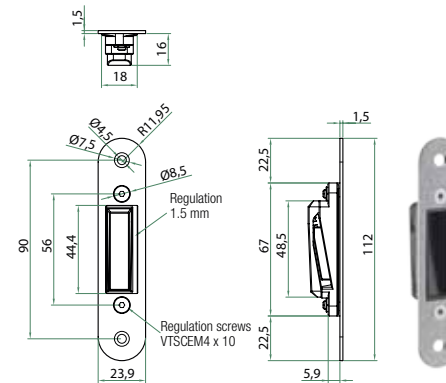
– dimensions: 82 x 22 x 4 mm
– for: B-smart, B-forty, B-class and B-five

GIR8



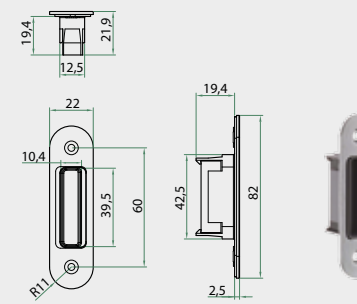
– dimensions: 112 x 24 x 1.5 mm
– adjustable striker
– for: B-smart and B-forty

GR97



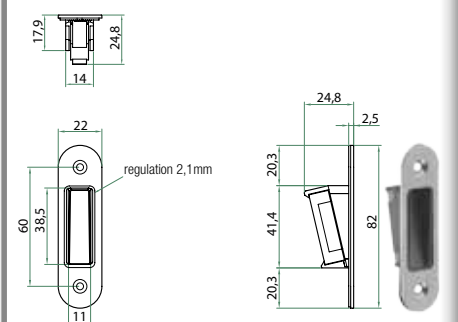
– dimensions: 112 x 24 x 1.5 mm
– for: B-twin

GS90



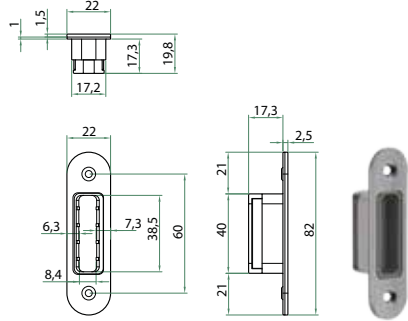
– dimensions: 82 x 22 x 2.5 mm
– for: B-smart and B-forty

GS91



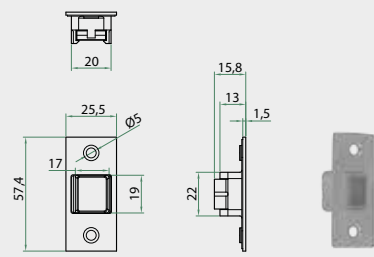
– dimensions: 82 x 22 x 2.5 mm
– for: B-twin

GIS8



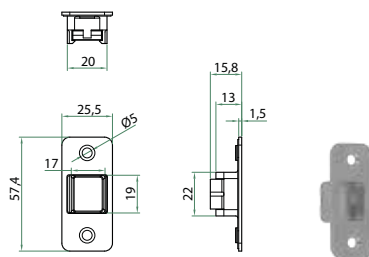
– dimensions: 82 x 22 x 2.5 mm
– for: B-smart, B-forty, B-class and B-five

GK04



– dimensions: 57.4 x 25.5 x 1.5 mm
– zamac striker
– for: B-latch square edge

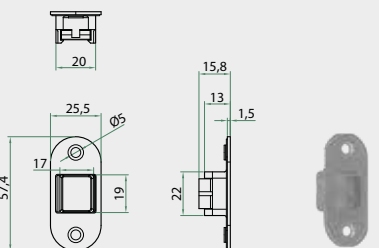
GK05



– dimensions: 57.4 x 25.5 x 1.5 mm
– zamac striker
– for: B-latch half-round edge

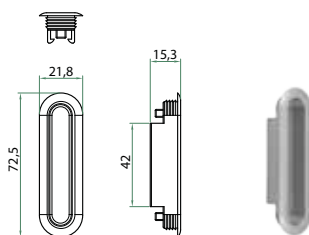
pockets

GK06



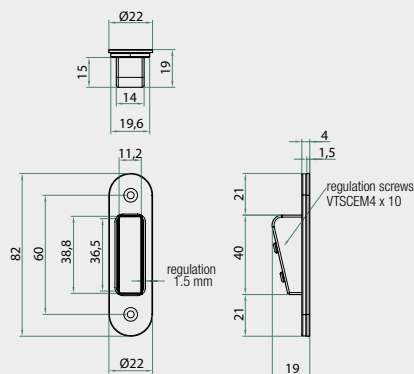
– dimensions: 57.4 x 25.5 x 1.5 mm
– zamac striker
– for: B-latch round edge

GK97



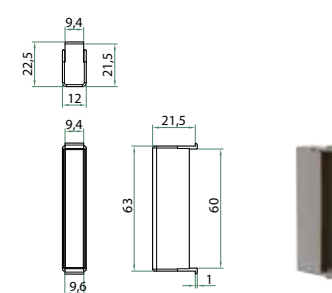
– dimensions: 66 x 15 x 15 mm
– striker without fixing screws
– for: B-smart, B-forty, B-five and B-france

GR95



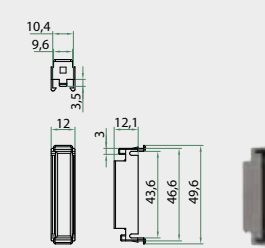
– dimensions: 82 x 22 x 4 mm
– adjustable striker
– for: B no-ha mini and B-one

707



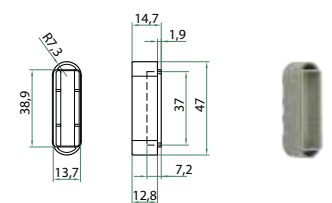
– dimensions: 60 x 18.5 x 9.5 mm
– pocket for bolt
– for: B-evo and B-class (striking G343)

760



– dimensions: 46.6 x 10 x 12.5 mm
– magnetic pocket for latch
– for: B-evo and B-class (striking G343)

761



– dimensions: 47 x 14.6 x 12.8 mm
– magnetic pocket for strikers
G183, G385 e G508

sales terms

ORDERS

All orders sent to BONAITI SERRATURE Spa directly or by the agents or by sales promoters are subjected to Company definitive approval and acceptance.

PRODUCTS MODIFICATION AND INFORMATION VALIDITY

BONAITI SERRATURE Spa reserves itself the right to make, without any previous notice, any modification that it retains necessary for the products improvement. Therefore the data and the illustrations reported on the price list have to be kept valid except if changes have occurred.

PRICES

The prices listed in such tariff have to be intended for standard BONAITI SERRATURE Spa packaging. For mortice locks for quantity lower than the standard packing will charged a fee of 10%. The prices can be subjected to changes without any previous notice; in such case on the invoice will be applied the prices currently into use at goods delivery time.

TERMS OF DELIVERY

“Postage paid” for a minimum amount of euro 950,00.

TRANSPORT

The goods travel at risk and danger of the Buyer even if sold D.A.P.
The delivery will be made by using a forwarder or system we'll retain the most suitable and convenient.

PAYMENTS

The payment must be done at the conditions established and without any amount deduction. On payment delay will be applied a fee calculated with reference to the official discount rate currently in use at time (MIN.8%).

DELIVERY

The delivery time given, even if confirmed, indicates a simple delivery forecast and like that has an indicative value. An eventual delivery delay can't give rise to any revenge.

GOODS RETURN

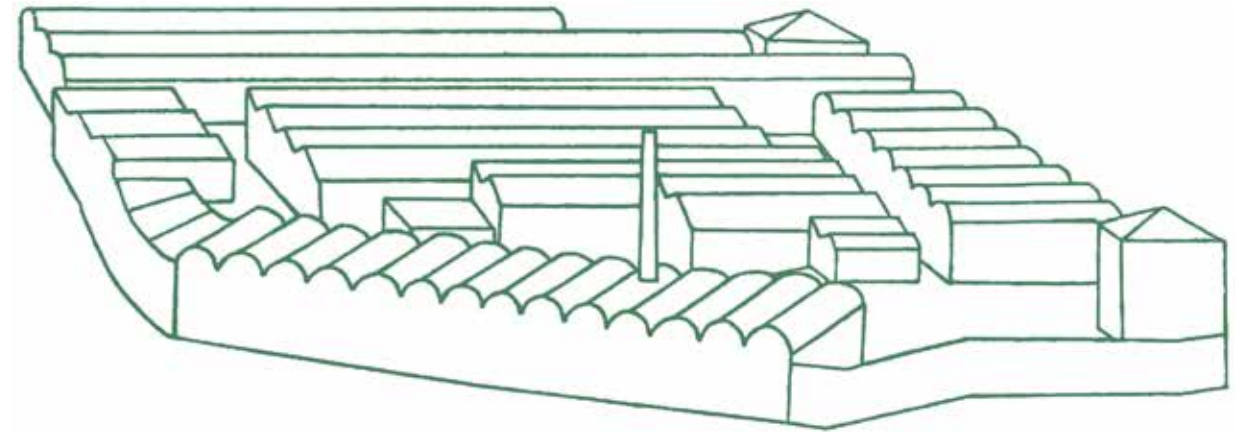
Aren't accepted any goods return if not previously authorized in written by Co. BONAITI SERRATURE Spa. In case of any receiving they will be automatically be sent back to the sender.

CLAIMS

Eventual claims must be addressed to Co. BONAITI SERRATURE Spa within 10 days from goods receiving.
Eventual shortage will be recognized if undersigned by the forwarder. For any dispute is competent LECCO court.

WARRANTY

BONAITI SERRATURE Spa guarantees that the product sold is suitable for the use for which it was intended, at condition that the product is installed according to the rules of art and following the instructions, when attached. The warranty duration is of 1 (one) year as from invoice date (art. 1495 of Italian civil code) and is valid provided that respected the time indicated for the claims.



COMPANY BONAITI

Bonaiti Serrature SpA - 23801 Calolziocorte (LC) - via F.lli Bonacina, 20
Tel. 0341.631500 - Fax 0341.631440 - www.bonaiti.it - bonaiti@bonaiti.it

visit

our website: www.bonaiti.it

our Youtube channel: [BonaitiSerratureSpA](https://www.youtube.com/BonaitiSerratureSpA)

our Facebook page: [bonaitiserrature](https://www.facebook.com/bonaitiserrature)

